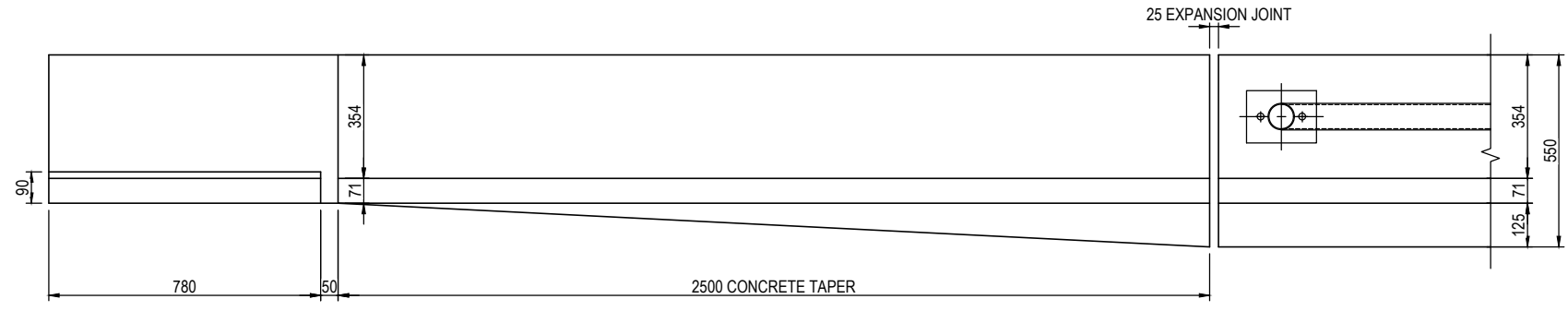
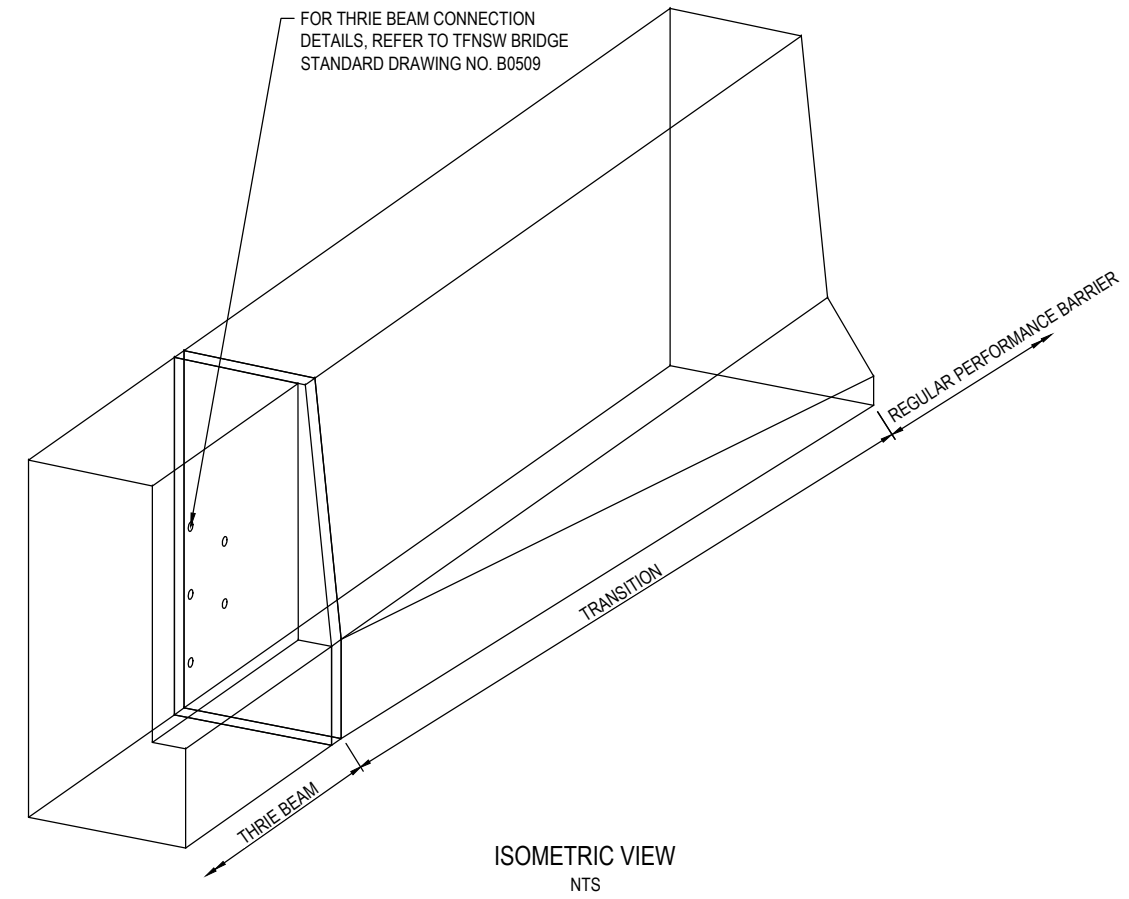


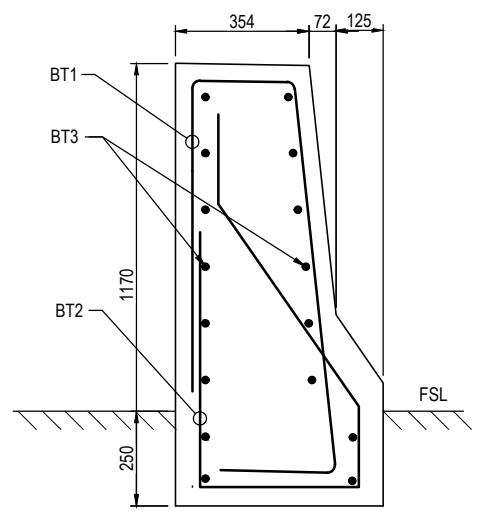
ELEVATION (BARRIER AT TRANSITION)
SCALE 1:10



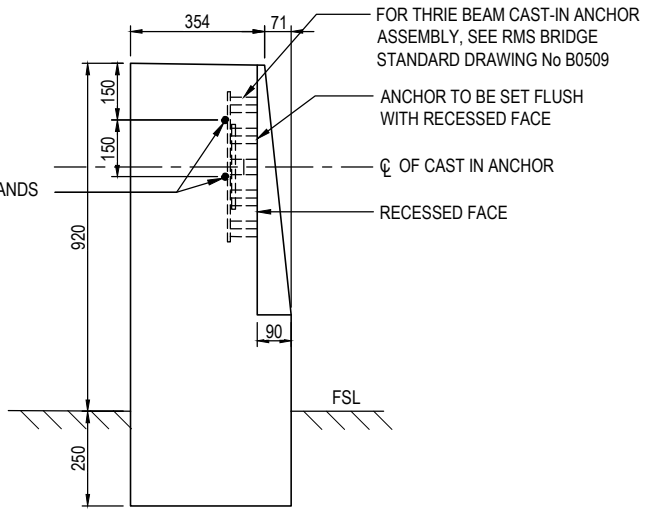
PLAN (BARRIER AT TRANSITION)
SCALE 1:10



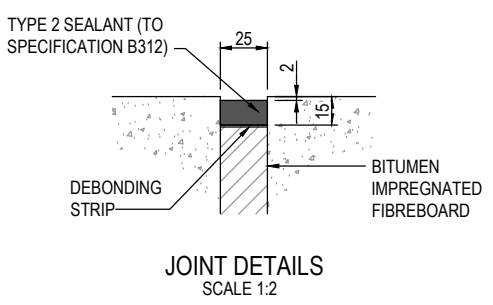
ISOMETRIC VIEW
NTS



SECTION 1
SCALE 1:10



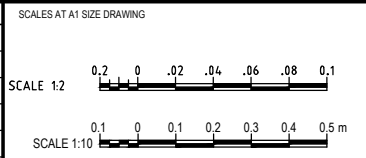
SECTION 2
SCALE 1:10



JOINT DETAILS
SCALE 1:2

150 mm ON ORIGINAL
150
140
130
120
110
100
90
80
70
60
50
40
30
20
10
0

DRAWING FILE LOCATION / NAME V:\Vault\Projects\3002750\CAD\DWG\17_SC_Struct\RETAINING_WALLS\3002750-RW-2106.dwg		PLOT DATE 29 Feb 2024		TIME 19:26:41	
EXTERNAL REFERENCE FILES	REV A	DATE 12.03.2022	AMENDMENT / REVISION DESCRIPTION DETAIL DESIGN	WVR No. 0016	APPROVAL DK
					TITLE DRAFTER DESIGNER DESIGN CHECK PROJECT MANAGER PROJECT DIRECTOR
					NAME <i>M.SURESH</i> <i>V. RAMAMURTHY</i> <i>S. MONTGOMERY</i> <i>R. HUNTER</i> <i>K. DECANHA</i> <i>T. VAN NIEKERK</i>



DESIGNER
SMEC
Member of the Surlana Jurong Group
ABN 47 065 475 149
LEVEL 9, 12 MOORE STREET
CANBERRA ACT 2601 AUSTRALIA
SMEC PROJECT No 3002750

CLIENT
ACT Government
Transport Canberra & City Services

PROJECT TITLE WILLIAM HOVELL DRIVE DUPLICATION			
STRUCTURES AND RETAINING WALLS MW1A TYPICAL BARRIER TRANSITION DETAILS			
SCALE AS SHOWN	PHASE DETAIL DESIGN	PROJECT / DRAWING No. 3002750-RW-2106	REVISION 0

DR