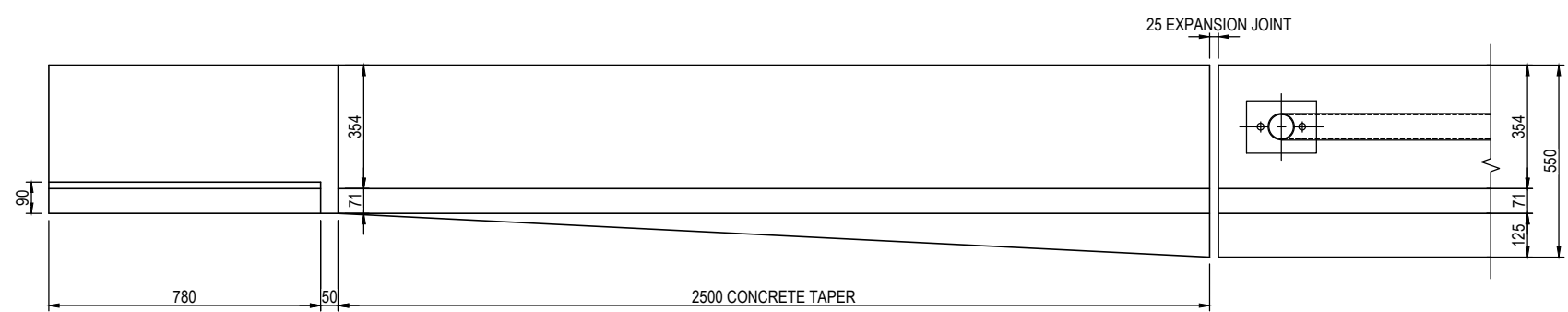
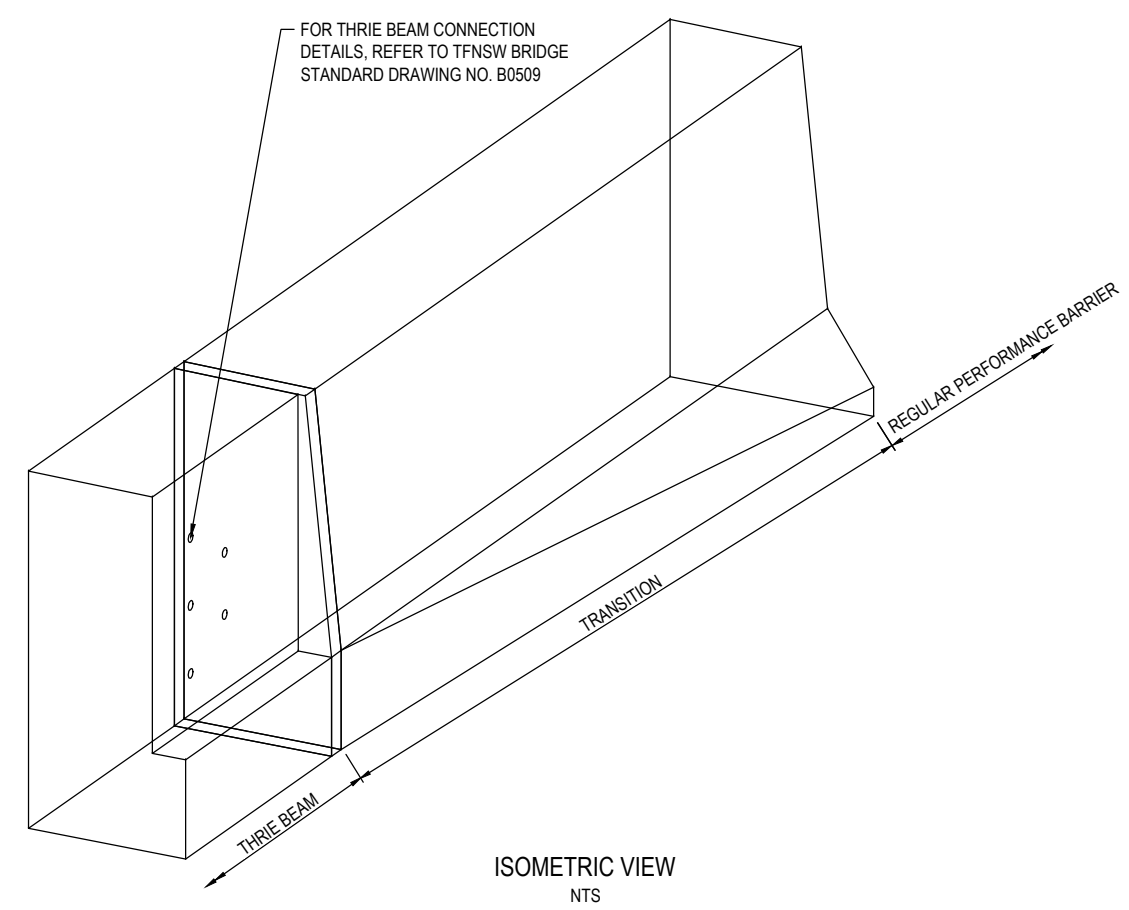


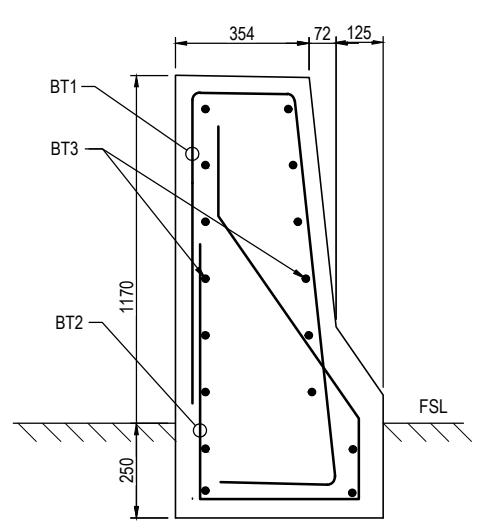
ELEVATION (BARRIER AT TRANSITION)  
SCALE 1:10



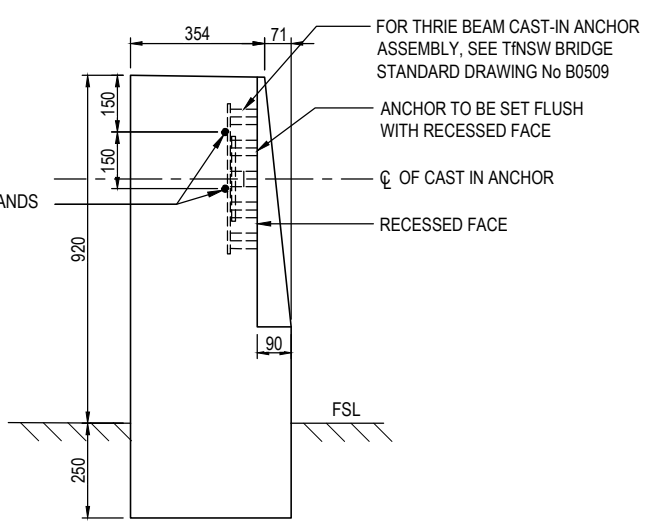
PLAN (BARRIER AT TRANSITION)  
SCALE 1:10



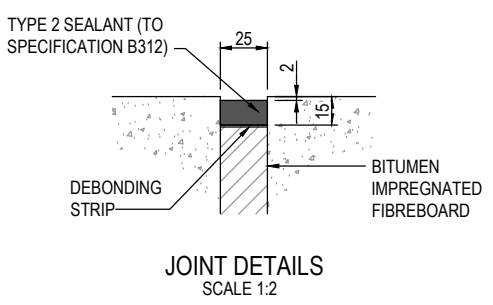
ISOMETRIC VIEW  
NTS



SECTION 1  
SCALE 1:10



SECTION 2  
SCALE 1:10



JOINT DETAILS  
SCALE 1:2

150 mm ON ORIGINAL  
150  
140  
130  
120  
110  
100  
90  
80  
70  
60  
50  
40  
30  
20  
10  
0

DRAWING FILE LOCATION / NAME V:\_Vault\Projects\3002750\CAD\DWG\17_SC_Struct\RETAINING_WALLS\3002750-RW-2120.dwg		PLOT DATE 29 Feb 2024		TIME 19:27:20	
EXTERNAL REFERENCE FILES	REV	DATE	AMENDMENT / REVISION DESCRIPTION	WVR No.	APPROVAL
	A	12.03.2022	DETAIL DESIGN	0016	DK
	B	29.02.2024	DRAFT DOCUMENT READINESS (DR) SUBMISSION	0036	T.VN

DRAFTER	M.SURESH
DRAFTING CHECK	V. RAMAMURTHY
DESIGNER	S. MONTGOMERY
DESIGN CHECK	R. HUNTER
PROJECT MANAGER	K. DECANHA
PROJECT DIRECTOR	T. VAN NIEKERK

DESIGNER  
**SMEC**  
Member of the Surlana Jurong Group  
ABN 47 065 475 149  
LEVEL 9, 12 MOORE STREET  
CANBERRA ACT 2601 AUSTRALIA  
SMEC PROJECT No 3002750

CLIENT  
**ACT** Government  
Transport Canberra & City Services

PROJECT TITLE WILLIAM HOVELL DRIVE DUPLICATION		SCALE AS SHOWN	
STRUCTURES AND RETAINING WALLS TYPICAL BARRIER TRANSITION DETAILS		PHASE DETAIL DESIGN	
PROJECT / DRAWING No. 3002750-RW-2120		REVISION B	

DR