

STREET LIGHT REFER TO TNSW STD DRG R0720-04 FOR POWER SUPPLY OPENING DETAILS

TOP OF PANEL
200mm THK PANEL + 50 FASCIA

10mm FILLER AND TYPE 2 SEALANT TO TNSW SPECIFICATION B312

V-DRAIN FSL

CAPPING BEAM

ENCAPSULATED SOIL NAIL TYP

SUB HORIZONTAL DRAINS TO MANUFACTURERS SPECIFICATIONS

FLEXIBLE STRIP FILTER DRAIN ACCORDING TO RMS SPECIFICATION R64

DRAIN

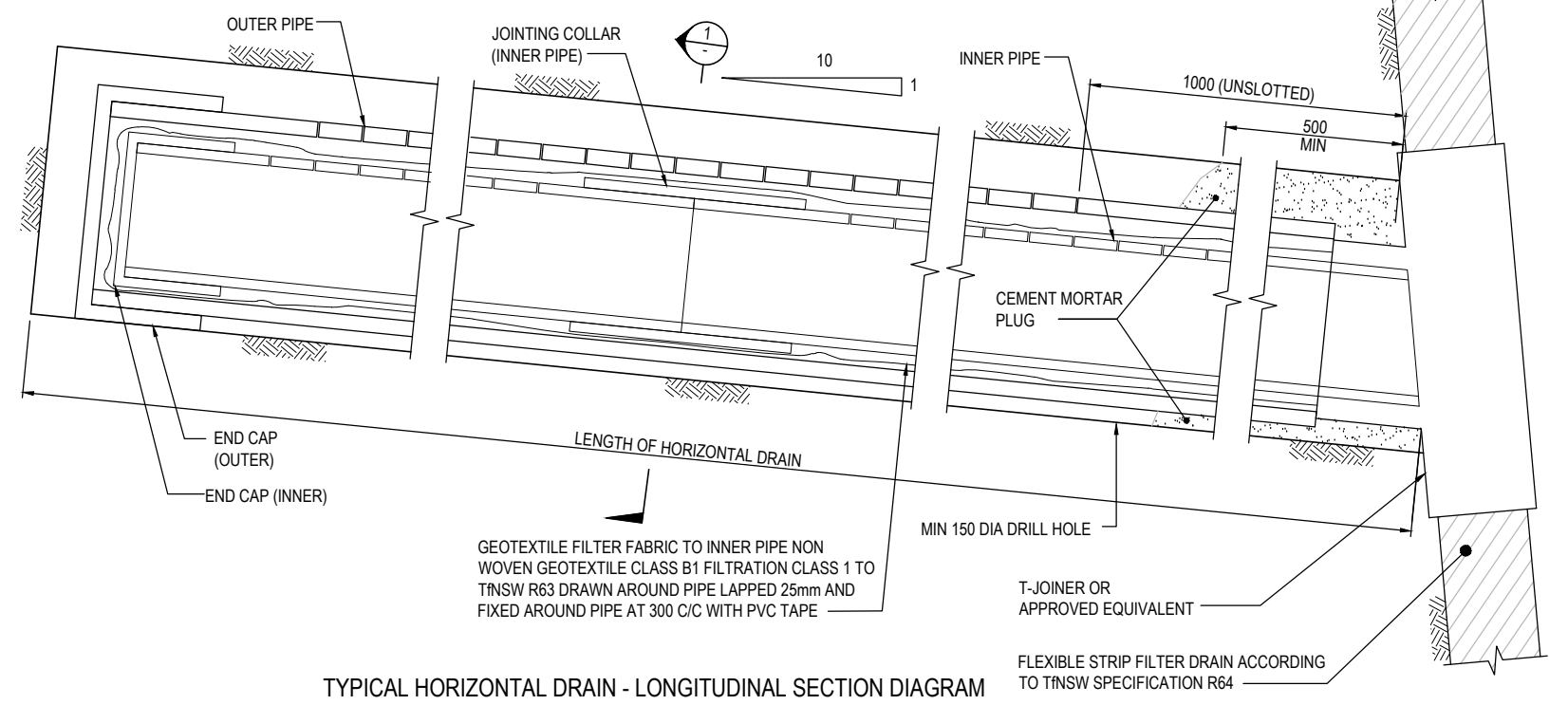
820

V-DRAIN
50 BLINDING
PIT

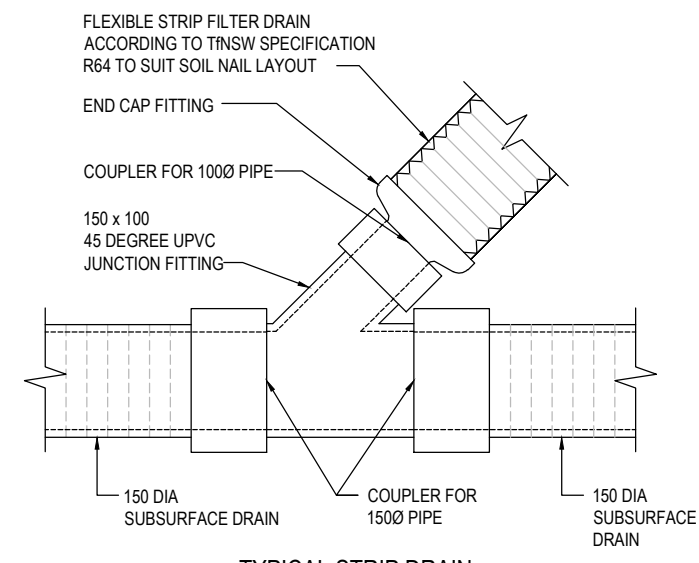
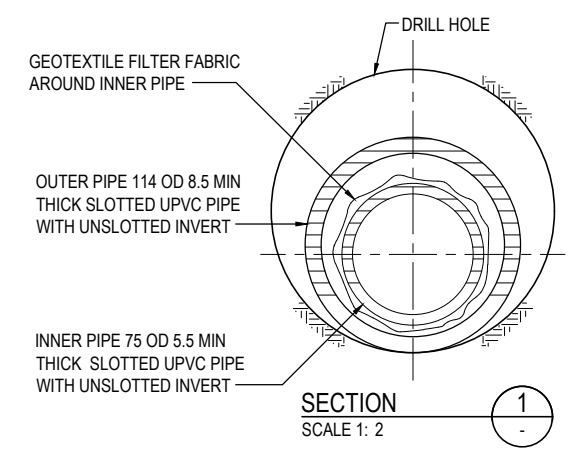
SUBSOIL DRAIN

10 THICK BITUMEN IMPREGNATED FIBRE BOARD

TYPICAL SOIL NAIL WALL DRAINAGE DETAILS
SCALE 1:25



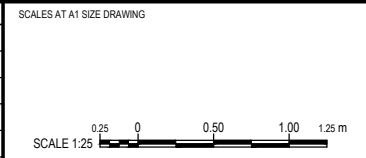
TYPICAL HORIZONTAL DRAIN - LONGITUDINAL SECTION DIAGRAM



TYPICAL STRIP DRAIN TO SUBSURFACE DRAIN CONNECTION - ELEVATION

150 mm ON ORIGINAL
150
140
130
120
110
100
90
80
70
60
50
40
30
20
10
0

DRAWING FILE LOCATION / NAME V:\Vault\Projects\3002750\CAD\DWG\17_SC_Struct\RETAINING_WALLS\3002750-RW-2212.dwg		PLOT DATE 29 Feb 2024		TIME 19:31:59	
EXTERNAL REFERENCE FILES	REV A	DATE 29.02.2024	AMENDMENT / REVISION DESCRIPTION DRAFT DOCUMENT READINESS (DR) SUBMISSION	WVR No. 0036	APPROVAL T.VN
			DRAFTER <i>M.SURESH</i>	DESIGNER <i>S.MONTGOMERY</i>	
			DESIGN CHECK <i>R. HUNTER</i>	PROJECT MANAGER <i>K. DECANHA</i>	
			PROJECT DIRECTOR <i>T. VAN NIEKERK</i>		



DESIGNER
SMEC
Member of the Surbana Jurong Group
ABN 47 065 475 149
LEVEL 9, 12 MOORE STREET
CANBERRA ACT 2601 AUSTRALIA
SMEC PROJECT No 3002750

CLIENT
ACT Government
Transport Canberra & City Services

PROJECT TITLE WILLIAM HOVELL DRIVE DUPLICATION			
STRUCTURES AND RETAINING WALLS MW1D AND MW1E SHOTCRETE WALL DETAILS- SHEET 2			
SCALE AS SHOWN	PHASE DETAIL DESIGN	PROJECT / DRAWING No. 3002750-RW-2212	REVISION A

DR