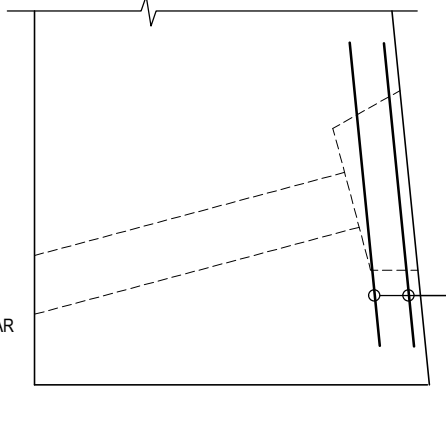
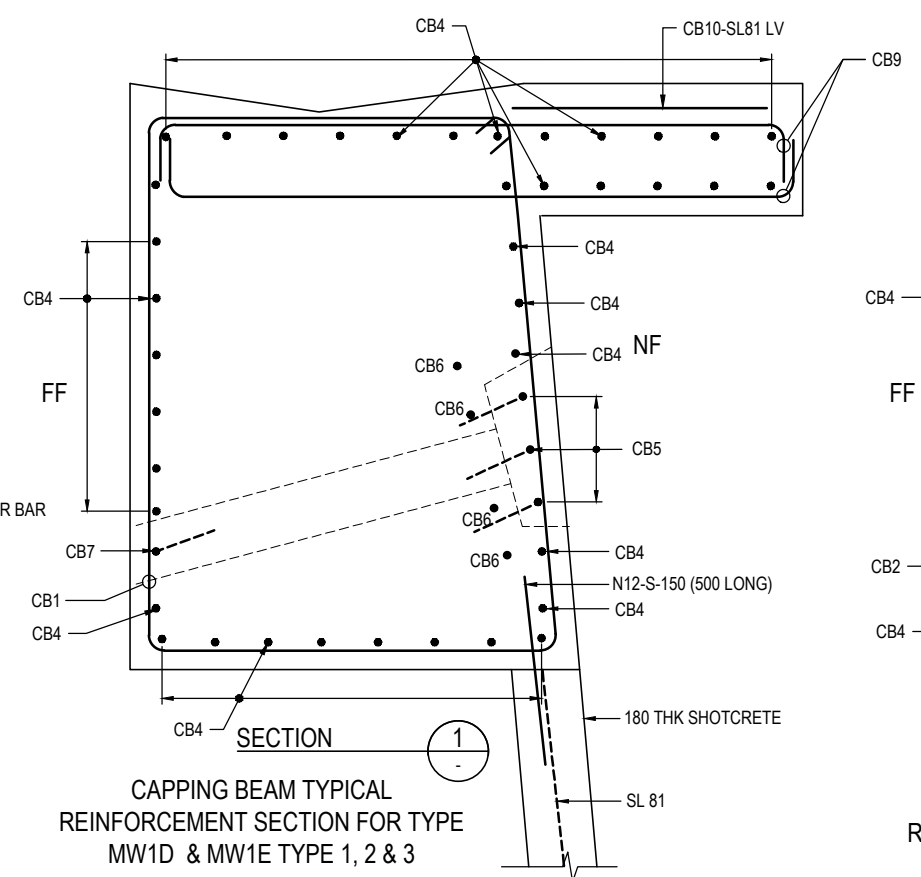


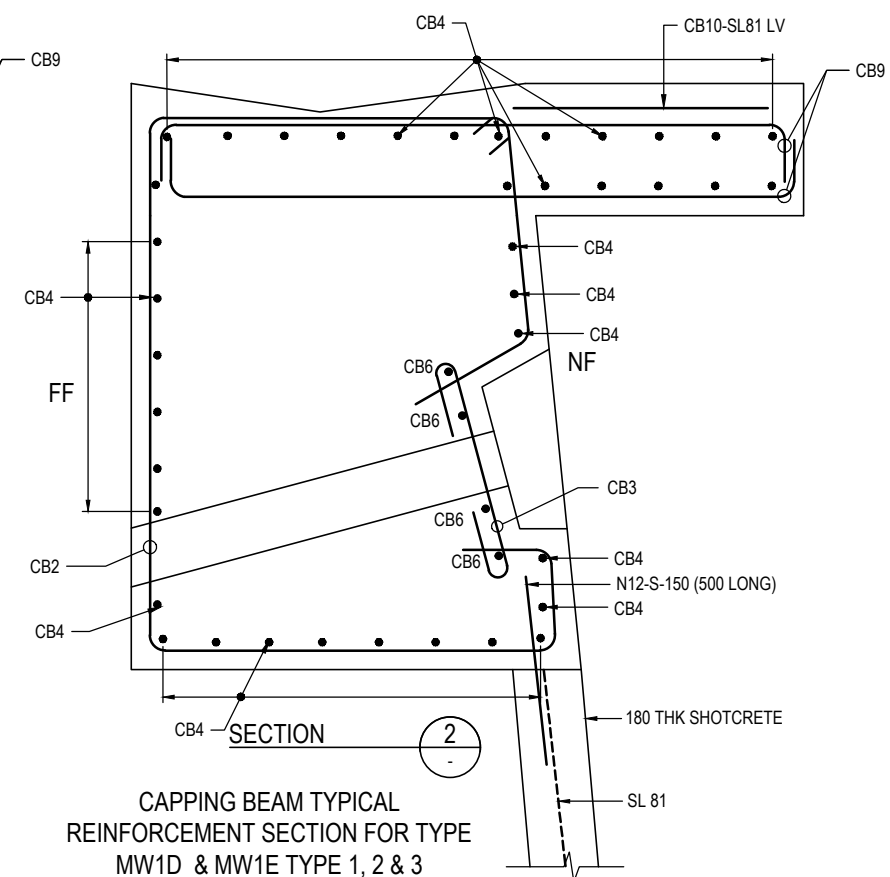
TYPICAL TRIMMER BAR DETAIL



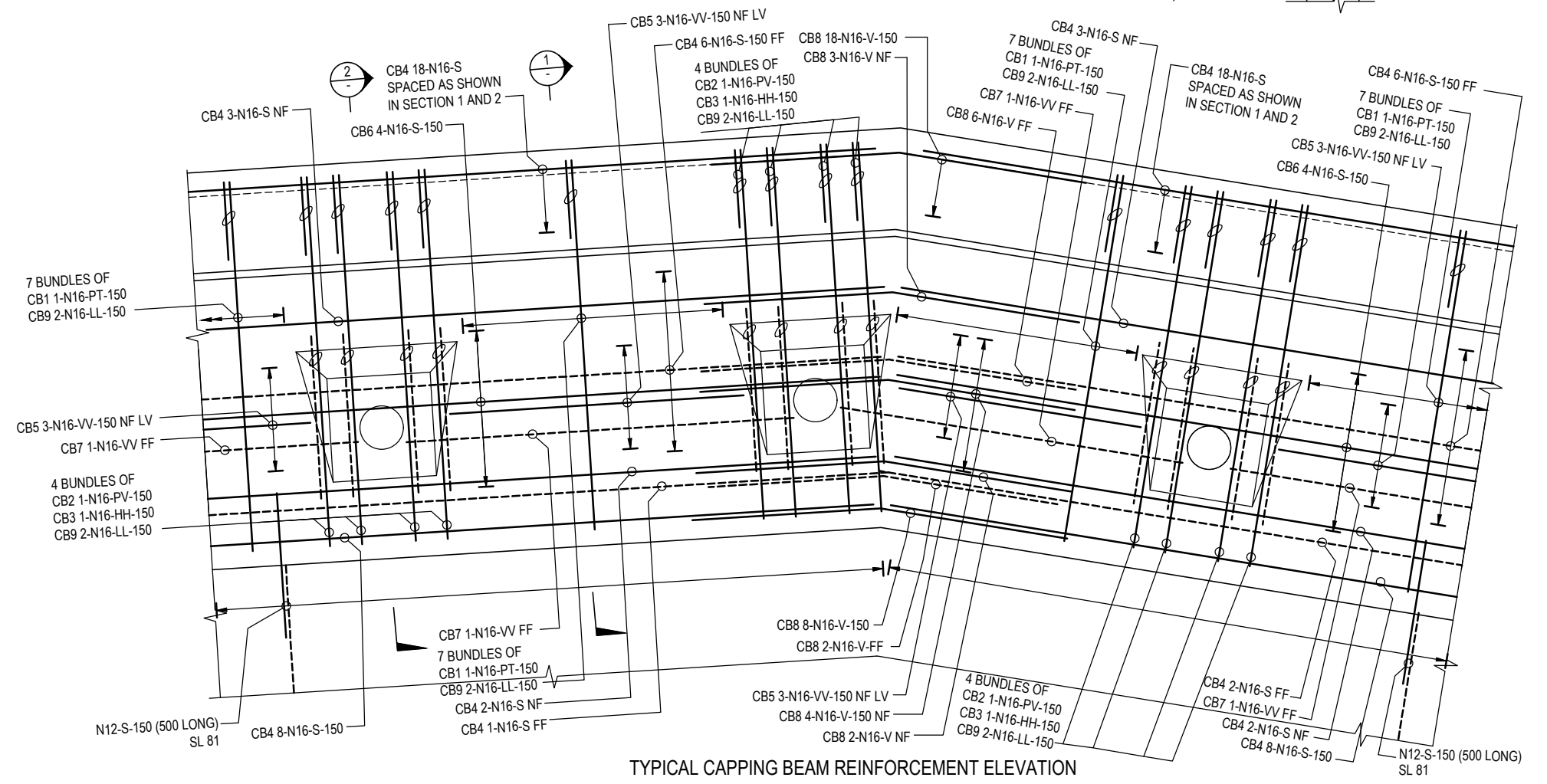
SECTION 3



CAPPING BEAM TYPICAL REINFORCEMENT SECTION FOR TYPE MW1D & MW1E TYPE 1, 2 & 3



CAPPING BEAM TYPICAL REINFORCEMENT SECTION FOR TYPE MW1D & MW1E TYPE 1, 2 & 3



TYPICAL CAPPING BEAM REINFORCEMENT ELEVATION

150 mm ON ORIGINAL  
A1

DRAWING FILE LOCATION / NAME V:\Vault\Projects\3002750\CAD\DWG\17_SC_Struct\RETAINING_WALLS\3002750-RW-2221.dwg		PLT DATE 29 Feb 2024	TIME 19:33:36	SCALES AT A1 SIZE DRAWING SCALE 1:10		DESIGNER <b>SMEC</b> Member of the Surbana Jurong Group ABN 47 065 475 149 LEVEL 9, 12 MOORE STREET CANBERRA ACT 2601 AUSTRALIA SMEC PROJECT No 3002750	CLIENT <b>ACT</b> Government Transport Canberra & City Services	PROJECT TITLE WILLIAM HOVELL DRIVE DUPLICATION STRUCTURES AND RETAINING WALLS MW1D REINFORCEMENT DETAILS-SHEET 1	SCALE AS SHOWN	PHASE DETAIL DESIGN	PROJECT / DRAWING No. 3002750-RW-2221	REVISION A
EXTERNAL REFERENCE FILES	REV A	DATE 29.02.2024	AMENDMENT / REVISION DESCRIPTION DRAFT DOCUMENT READINESS (DR) SUBMISSION	WVR No. 0036	APPROVAL T.VN	TITLE DRAFTER MSURESH DRAFTING CHECK V. RAMAMURTHY DESIGNER S. MONTGOMERY DESIGN CHECK R. HUNTER PROJECT MANAGER K. DECANHA PROJECT DIRECTOR T. VAN NIEKERK						

DR