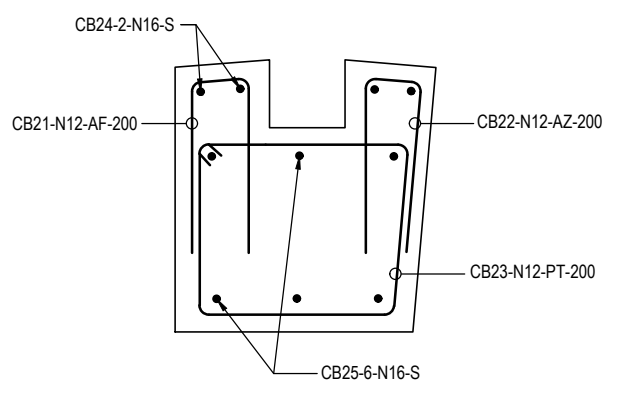
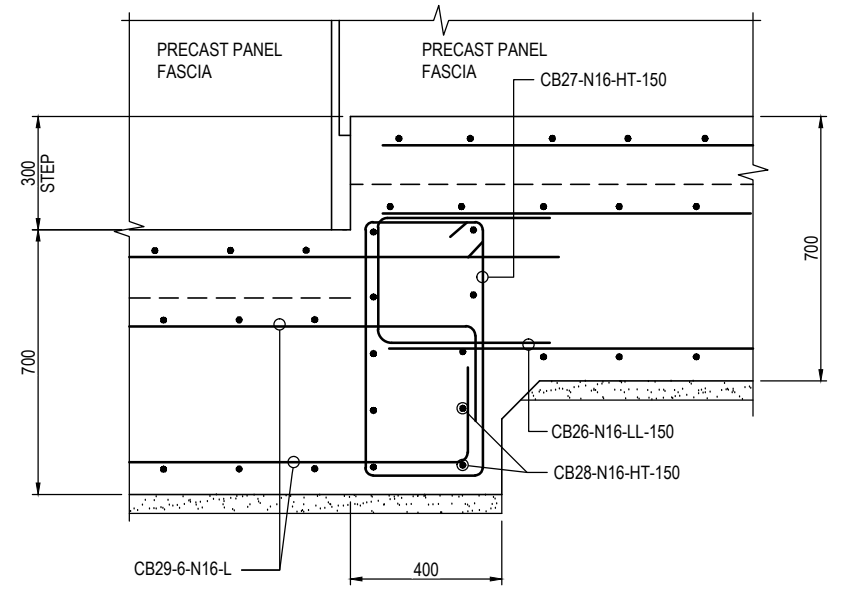


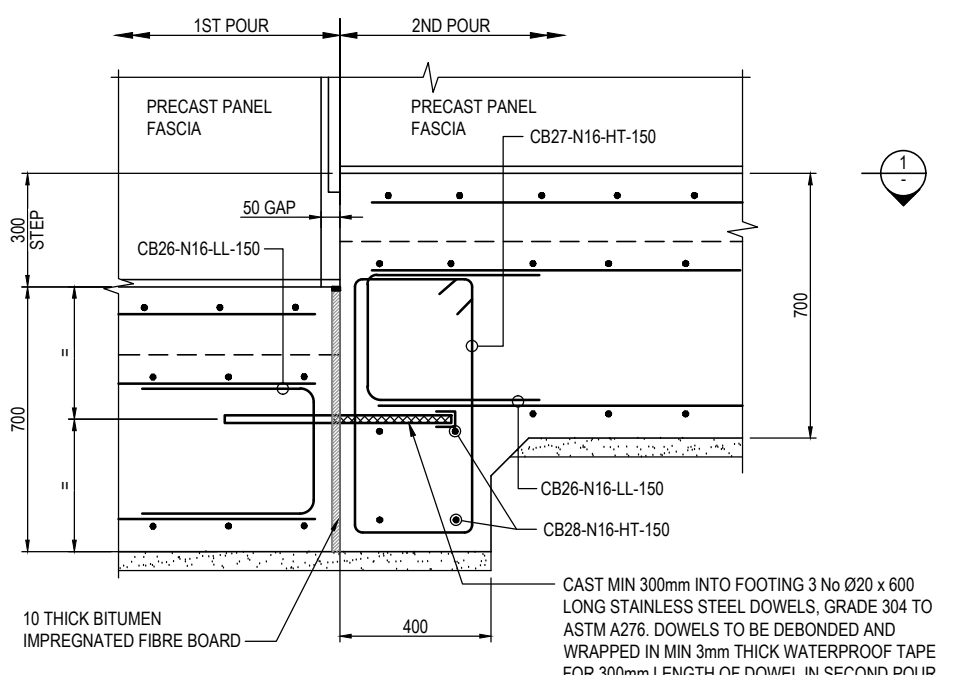
FOOTING TYPICAL SECTION
SCALE 1:10



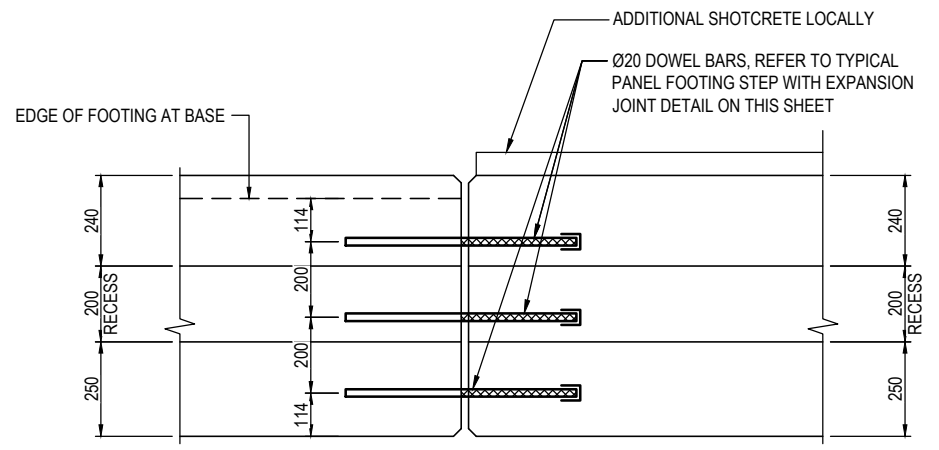
TYPICAL REINFORCEMENT DETAILS FOR STRIP FOOTING BELOW PANEL
SCALE 1:10



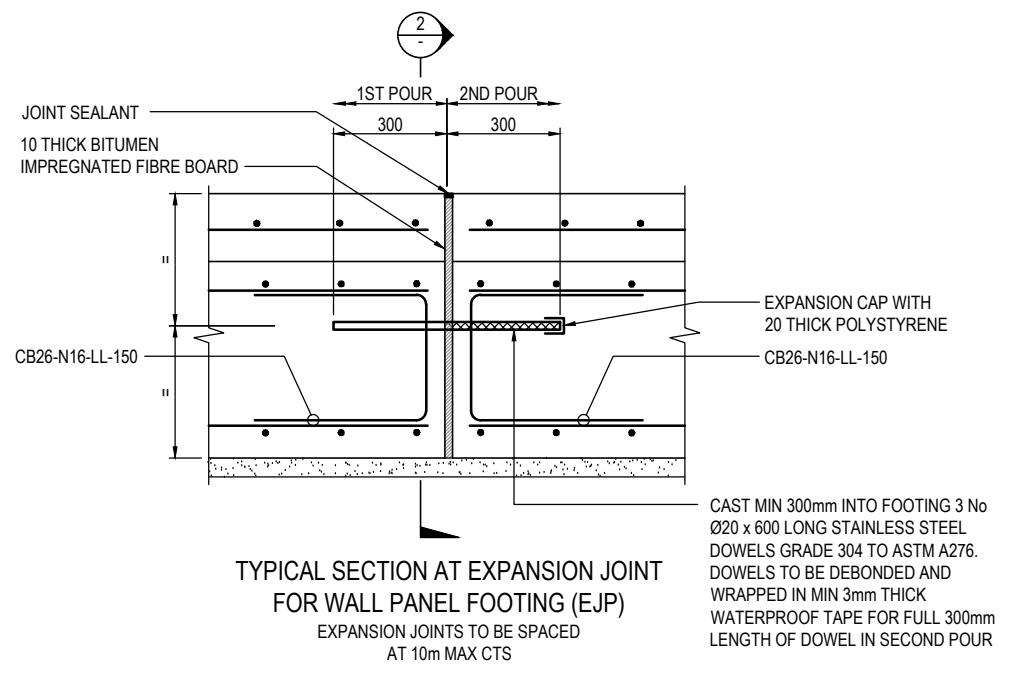
TYPICAL PANEL FOOTING STEP WITHOUT EXPANSION JOINT



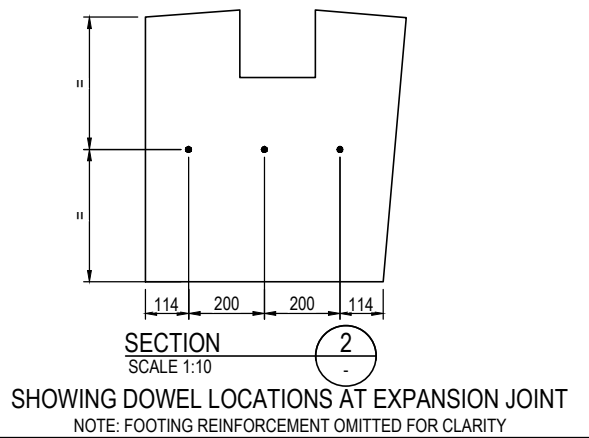
TYPICAL PANEL FOOTING STEP WITH EXPANSION JOINT (EJPS)
SCALE 1:10



SECTION 1
SCALE 1:10
WALL PANEL FOOTING STEP PLAN
NOTE: REINFORCEMENT AND PRECAST FASCIA PANELS OMITTED FOR CLARITY



TYPICAL SECTION AT EXPANSION JOINT FOR WALL PANEL FOOTING (EJP)
EXPANSION JOINTS TO BE SPACED AT 10m MAX CTS
SCALE 1:10



SECTION 2
SCALE 1:10
SHOWING DOWEL LOCATIONS AT EXPANSION JOINT
NOTE: FOOTING REINFORCEMENT OMITTED FOR CLARITY

150 mm ON ORIGINAL
A1

| | | | | | |
|--|----------|--------------------------|--|---|------------------|
| DRAWING FILE LOCATION / NAME V:\Vault\Projects\3002750\CAD\DWG\17_SC_Struct\RETAINING_WALLS\3002750-RW-2223.dwg | | PLOT DATE 29 Feb 2024 | | TIME 19:34:42 | |
| EXTERNAL REFERENCE FILES | REV A | DATE 29.02.2024 | AMENDMENT / REVISION DESCRIPTION DRAFT DOCUMENT READINESS (DR) SUBMISSION | WVR No. 0036 | APPROVAL T.VN |
| | | | DRAFTER M.SURESH | DESIGNER S.MONTGOMERY | |
| | | | DRAFTING CHECK V. RAMAMURTHY | DESIGN CHECK R. HUNTER | |
| | | | DESIGNER S.MONTGOMERY | PROJECT MANAGER K. DECANHA | |
| | | | DESIGN CHECK R. HUNTER | PROJECT DIRECTOR T. VAN NIEKERK | |
| | | | PROJECT MANAGER K. DECANHA | PROJECT DIRECTOR T. VAN NIEKERK | |
| | | | PROJECT DIRECTOR T. VAN NIEKERK | | |
| | | | SCALE AT A1 SIZE DRAWING | DESIGNER SMEC Member of the Urbana Jurong Group ABN 47 065 475 149 | |
| | | | SCALE 1:1000 | CLIENT ACT Government Transport Canberra & City Services | |
| | | | SCALE AS SHOWN | PROJECT TITLE WILLIAM HOVELL DRIVE DUPLICATION | |
| | | | PHASE DETAIL DESIGN | STRUCTURES AND RETAINING WALLS MW1D REINFORCEMENT DETAILS-SHEET 3 | |
| | | | PROJECT / DRAWING No. 3002750-RW-2223 | REVISION A | |

DR