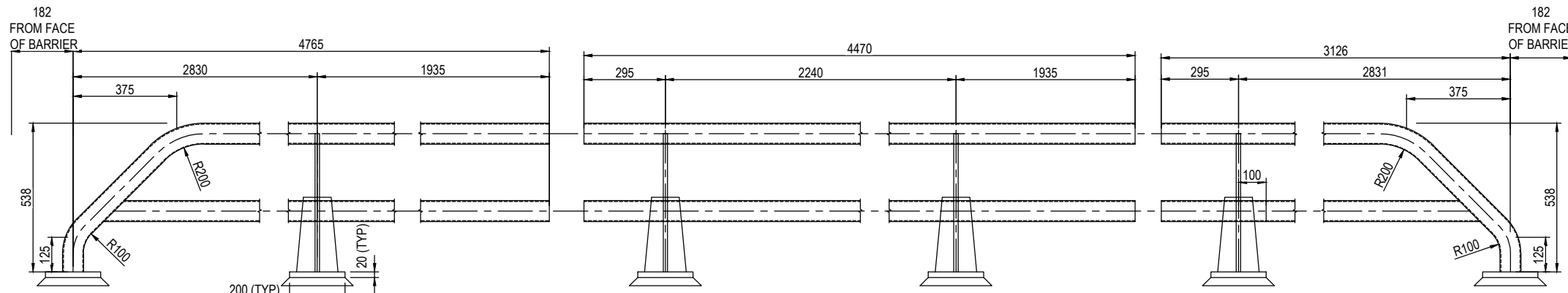


RAILINGS PANEL LAYOUT
SCALE 1:50



PANEL A - ELEVATION
(NO.1 REQUIRED)
SCALE 1:10

PANEL B - ELEVATION
(NOs.2 REQUIRED)
SCALE 1:10

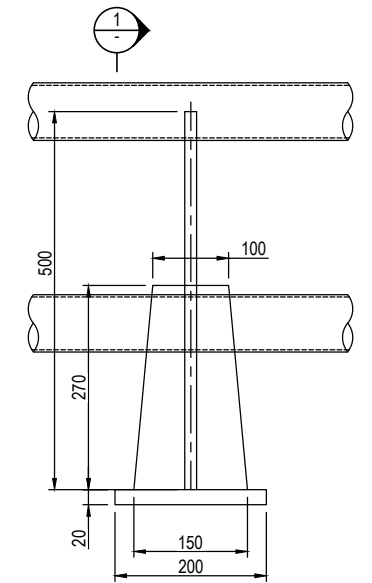
PANEL C - ELEVATION
(NO.1 REQUIRED)
SCALE 1:10



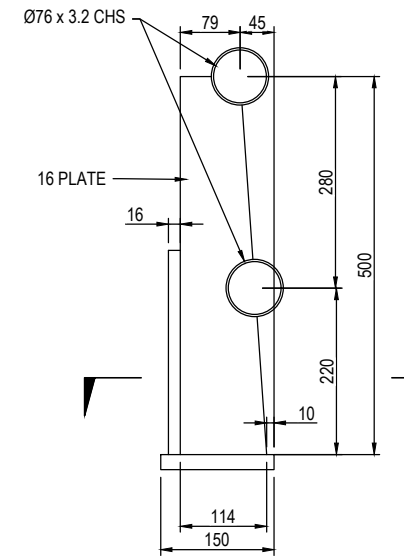
PANEL A - PLAN
SCALE 1:10

PANEL B - PLAN
SCALE 1:10

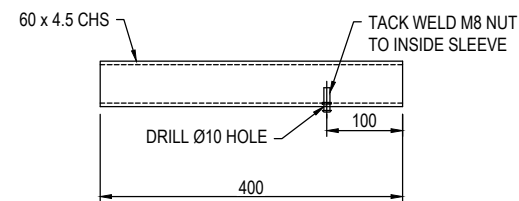
PANEL C - PLAN
SCALE 1:10



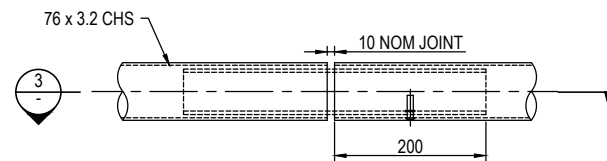
POST - ELEVATION
SCALE 1:5



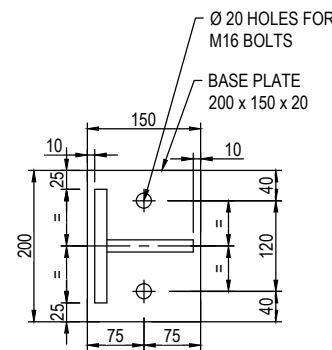
SECTION
SCALE 1: 5



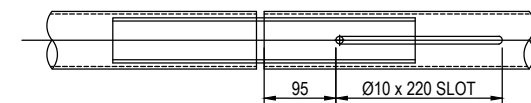
RAIL CONNECTORS - ELEVATION
SCALE 1:5



ELEVATION
SCALE 1:5



BASE PLATE
SCALE 1: 5

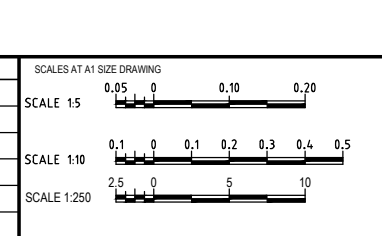


SECTION
SCALE 1: 5

150 mm ON ORIGINAL
150
140
130
120
110
100
90
80
70
60
50
40
30
20
10
0

DRAWING FILE LOCATION / NAME V:\Vault\Projects\3002750\CAD\DWG\17_SC_Struct\RETAINING_WALLS\3002750-RW-2413.dwg		PLOT DATE 29 Feb 2024		TIME 19:42:53	
EXTERNAL REFERENCE FILES	REV A	DATE 29.02.2024	AMENDMENT / REVISION DESCRIPTION DRAFT DOCUMENT READINESS (DR) SUBMISSION	WVR No. 0036	APPROVAL T.VN

TITLE	NAME
DRAFTER	M.SURESH
DRAFTING CHECK	V. RAMAMURTHY
DESIGNER	S. MONTGOMERY
DESIGN CHECK	R. HUNTER
PROJECT MANAGER	K. DECANHA
PROJECT DIRECTOR	T. VAN NIEKERK



DESIGNER **SMEC**
Member of the Surbana Jurong Group
ABN 47 065 475 149
LEVEL 9, 12 MOORE STREET
CANBERRA ACT 2601 AUSTRALIA
SMEC PROJECT No 3002750

CLIENT **ACT Government**
Transport Canberra & City Services

PROJECT TITLE WILLIAM HOVELL DRIVE DUPLICATION			
UNDERPASS (1154) AT CHAINAGE 2380 RAILING DETAILS			
SCALE AS SHOWN	PHASE DETAIL DESIGN	PROJECT / DRAWING No. 3002750-RW-2413	REVISION A

DR