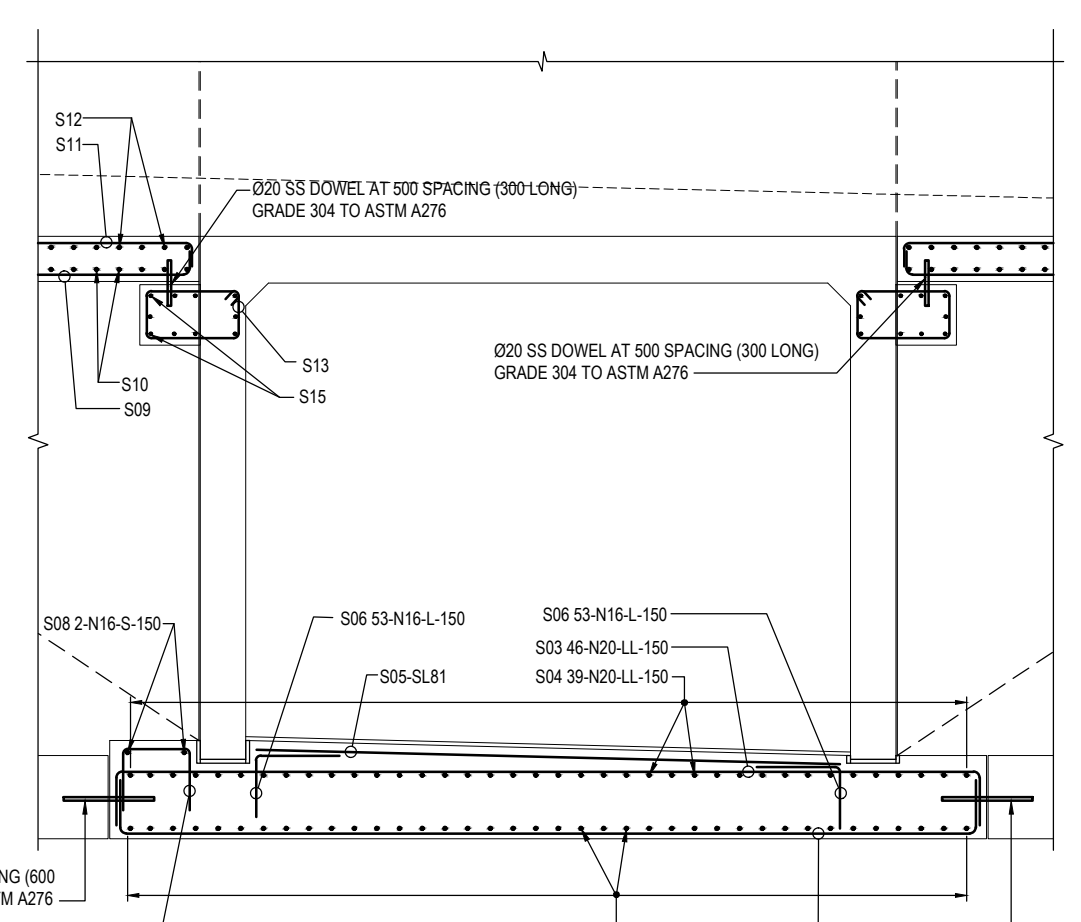
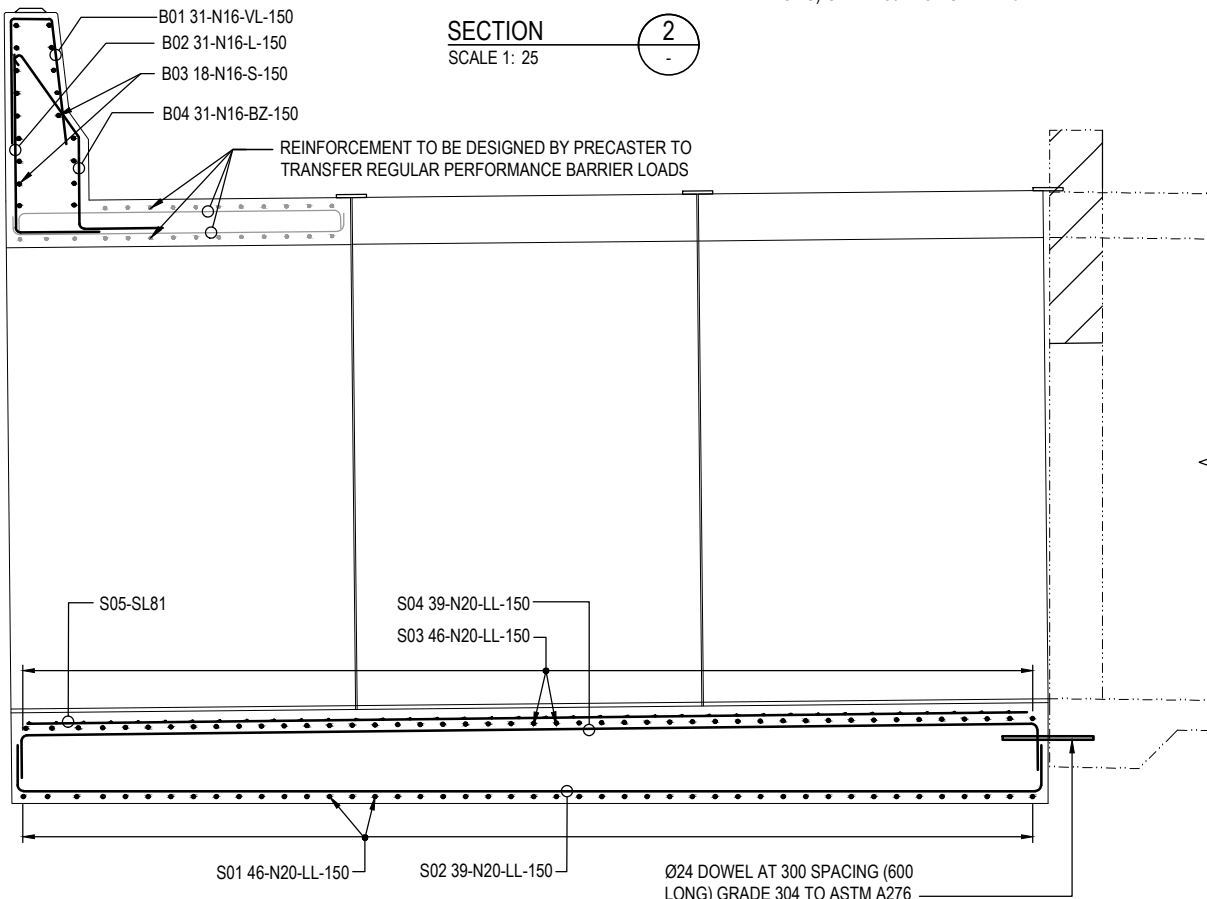


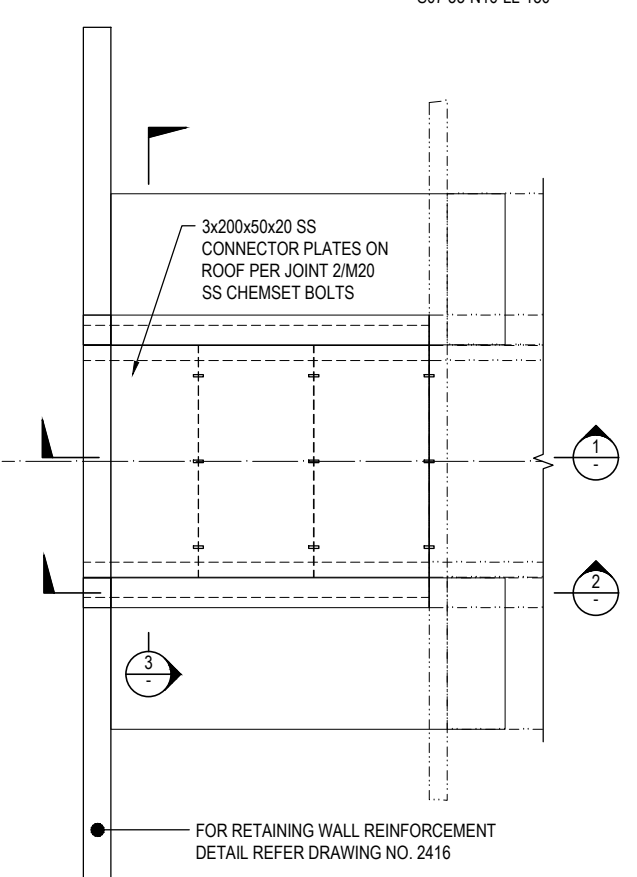
SECTION 2
SCALE 1: 25



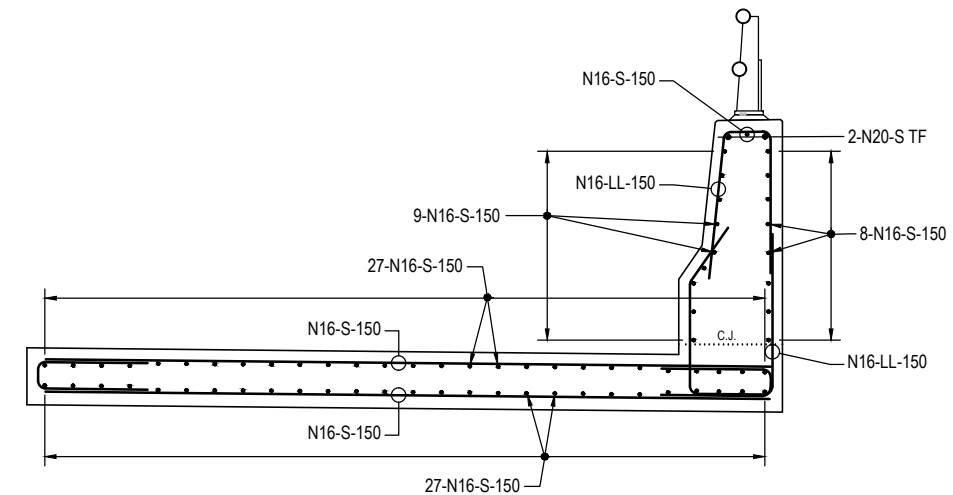
SECTION 3
SCALE 1: 25



SECTION 1
SCALE 1: 25



PLAN
SCALE 1:75



TYPICAL CRASH BARRIER DETAILS OVER EXISTING UNDERPASS
SCALE 1:25

150 mm ON ORIGINAL

DRAWING FILE LOCATION / NAME V:\Vault\Projects\3002750\CAD\DWG\17_SC_Struct\RETAINING_WALLS\3002750-RW-2415.dwg		PLT DATE 29 Feb 2024	TIME 19:43:31
EXTERNAL REFERENCE FILES	REV A	DATE 29.02.2024	AMENDMENT / REVISION DESCRIPTION DRAFT DOCUMENT READINESS (DR) SUBMISSION
	WVR No. 0036	APPROVAL T.VN	TITLE NAME
			DRAFTER <i>M.SURESH</i>
			DRAFTING CHECK <i>V. RAMAMURTHY</i>
			DESIGNER <i>S. MONTGOMERY</i>
			DESIGN CHECK <i>R. HUNTER</i>
			PROJECT MANAGER <i>K. DECANHA</i>
			PROJECT DIRECTOR <i>T. VAN NIEKERK</i>
SCALES AT A1 SIZE DRAWING		DESIGNER	
SCALE 1:25			
SCALE 1:75		Member of the Surbana Jurong Group ABN 47 065 475 149	
		CLIENT	
		Transport Canberra & City Services	
PROJECT TITLE WILLIAM HOVELL DRIVE DUPLICATION			
UNDERPASS (1154) AT CHAINAGE 2380 REINFORCEMENT DETAILS - SHEET 1			
SCALE AS SHOWN	PHASE DETAIL DESIGN	PROJECT / DRAWING No. 3002750-RW-2415	REVISION A