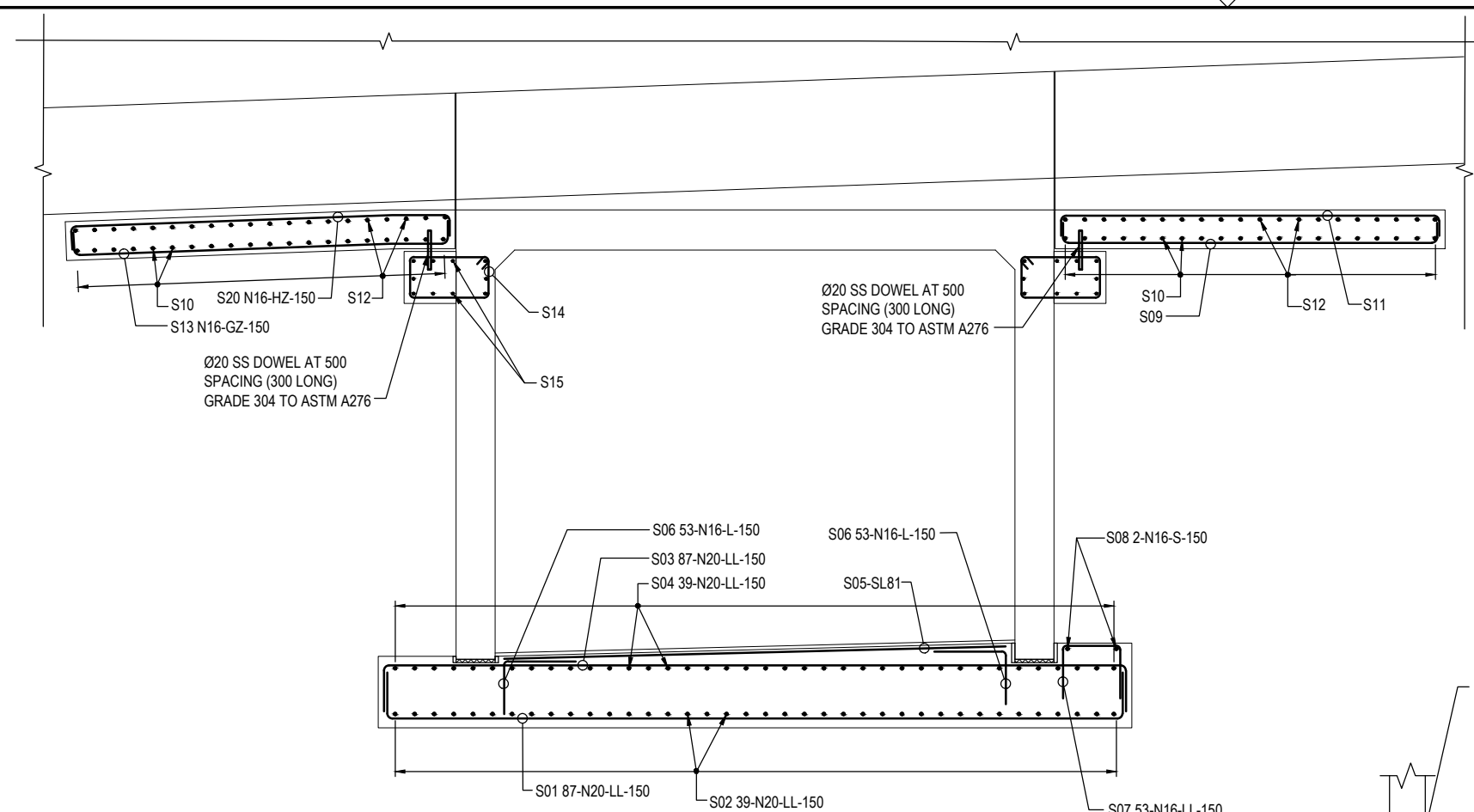
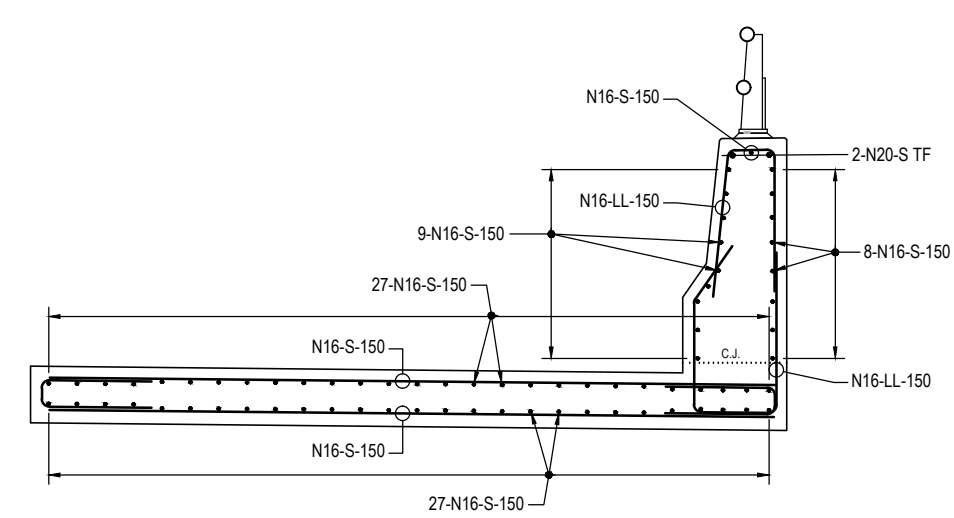


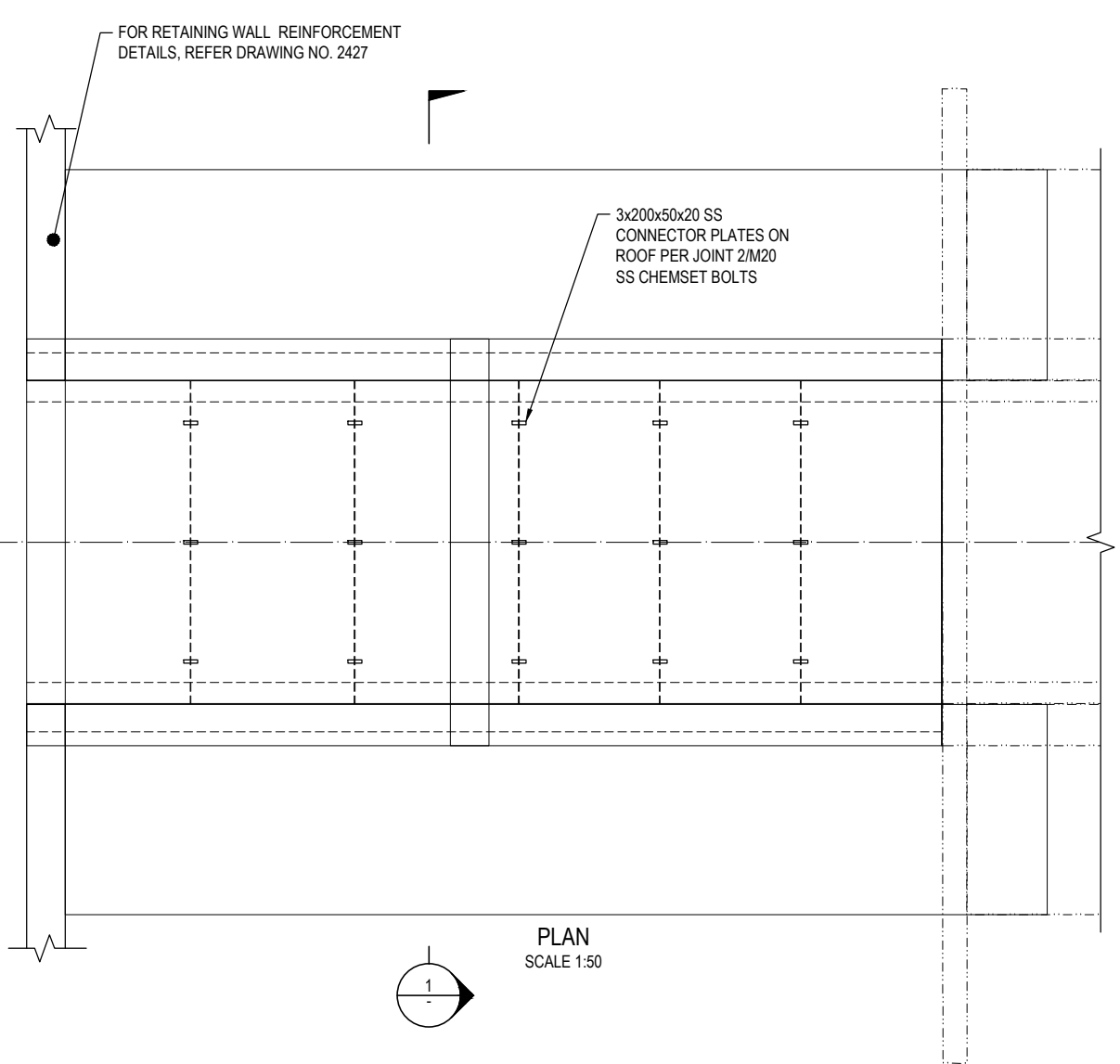
150 mm ON ORIGINAL
A1



SECTION 1
SCALE 1: 25



TYPICAL CRASH BARRIER DETAILS OVER EXISTING UNDERPASS
SCALE 1:25



PLAN SCALE 1:50

DR

DRAWING FILE LOCATION / NAME V:\Vault\Projects\3002750\CAD\DWG\17_SC_Struct\RETAINING_WALLS\3002750-RW-2425.dwg		PLOT DATE 29 Feb 2024	TIME 19:45:51
--	--	--------------------------	------------------

REV	DATE	AMENDMENT / REVISION DESCRIPTION	WVR No.	APPROVAL	TITLE	NAME
A	29.02.2024	DRAFT DOCUMENT READINESS (DR) SUBMISSION	0036	T.VN	DRAFTER	M.SURESH
					DRAFTING CHECK	V. RAMAMURTHY
					DESIGNER	S. MONTGOMERY
					DESIGN CHECK	R. HUNTER
					PROJECT MANAGER	K. DECANHA
					PROJECT DIRECTOR	T. VAN NIEKERK

SCALES AT A1 SIZE DRAWING	SCALE 1:25	SCALE 1:50
---------------------------	------------	------------

DESIGNER
SMEC
Member of the Surbana Jurong Group
ABN 47 065 475 149
LEVEL 9, 12 MOORE STREET
CANBERRA ACT 2601 AUSTRALIA
SMEC PROJECT No 3002750

CLIENT
ACT Government
Transport Canberra & City Services

PROJECT TITLE WILLIAM HOVELL DRIVE DUPLICATION		PROJECT / DRAWING No. 3002750-RW-2425	
UNDERPASS (1155) AT CHAINAGE 4588 REINFORCEMENT DETAILS - SHEET 1		SCALE AS SHOWN	REVISION A