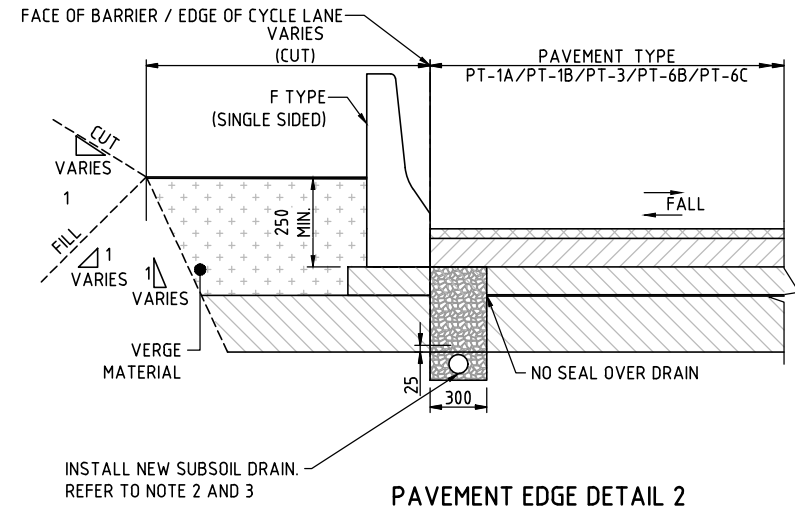
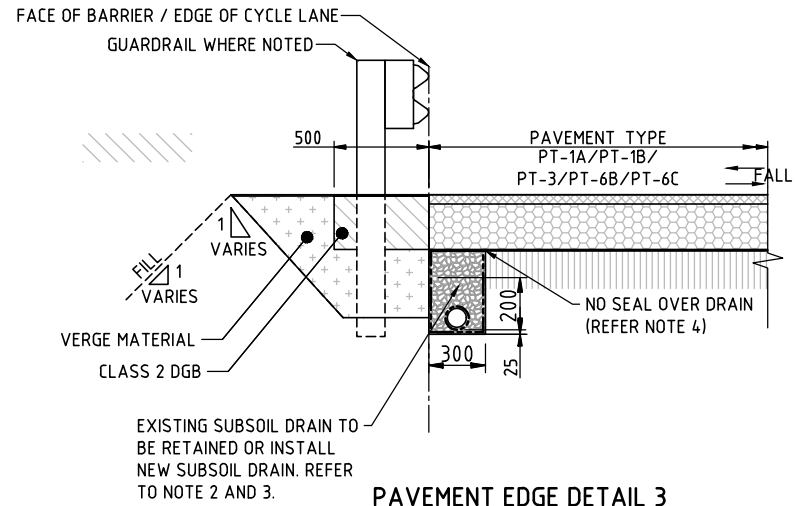


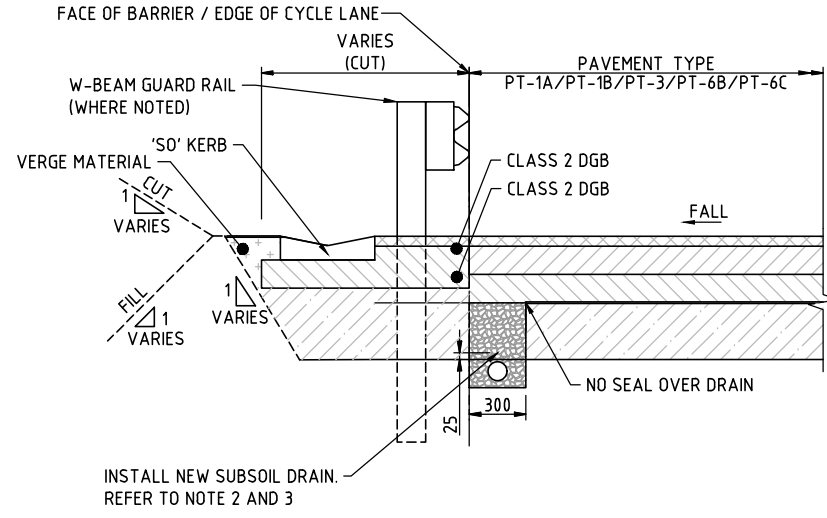
PAVEMENT EDGE DETAIL 1
 DETAIL 01
 SCALE 1: 20



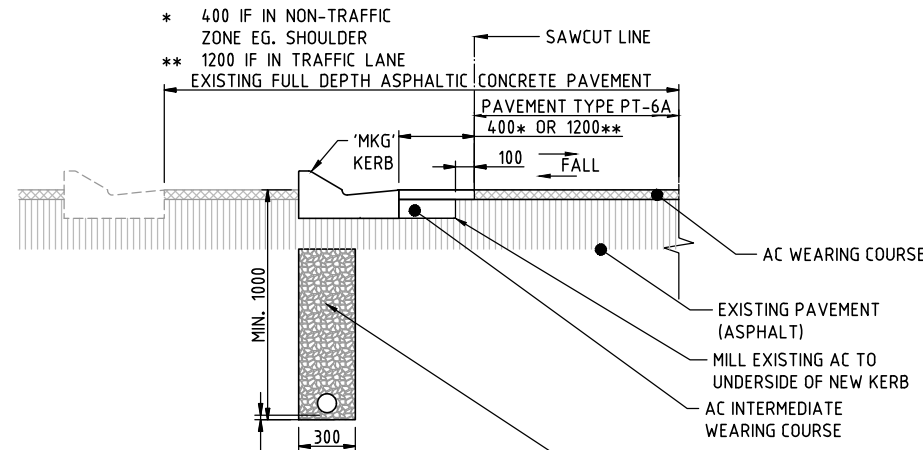
PAVEMENT EDGE DETAIL 2
 DETAIL 02
 SCALE 1: 20



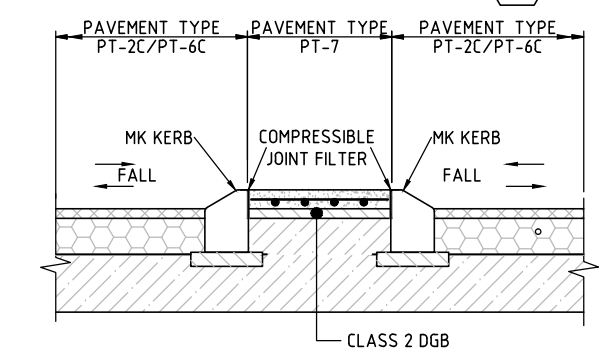
PAVEMENT EDGE DETAIL 3
 LOW/HIGH SIDE OF PAVEMENT TYPE PT-1A/PT-1B/
 PT-3/PT-6B/PT-6C
 DETAIL 03
 SCALE 1:20



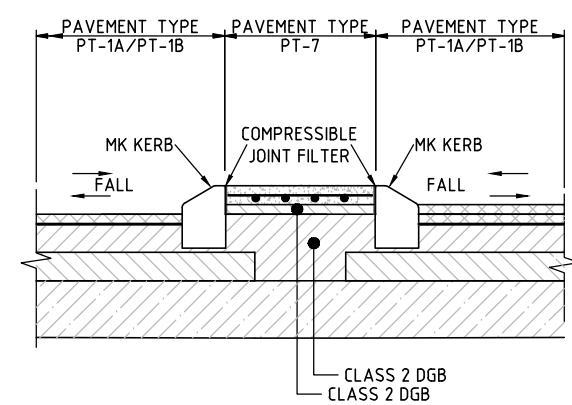
PAVEMENT EDGE DETAIL 4
 DETAIL 04
 SCALE 1: 20



PAVEMENT EDGE DETAIL 5
 NEW KERB ON EXISTING FULL DEPTH ASPHALTIC
 CONCRETE LOW SIDE (HIGH SIDE SIMILAR)
 DETAIL 05
 SCALE 1: 20

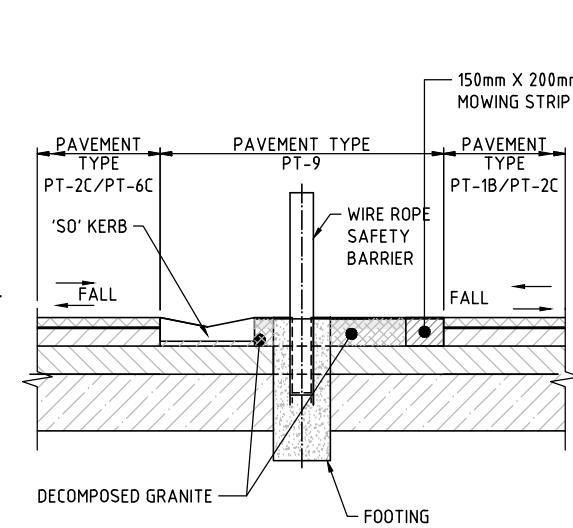


PAVEMENT EDGE DETAIL 7
 DETAIL 07
 SCALE 1: 20

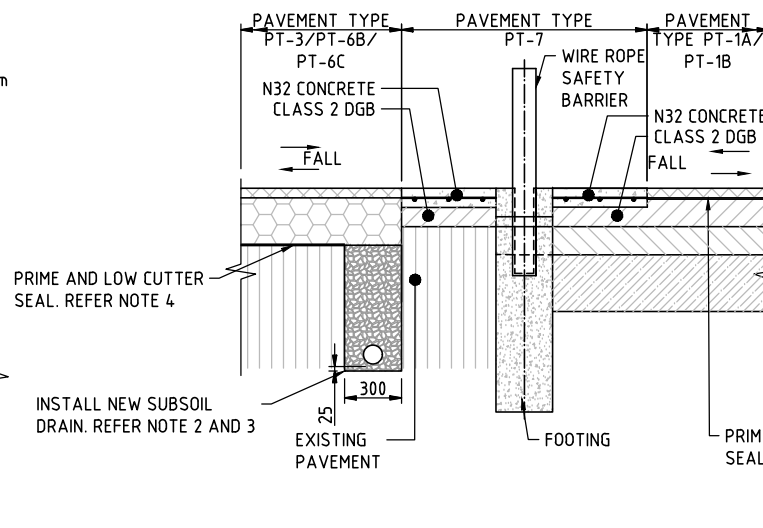


PAVEMENT EDGE DETAIL 14
 DETAIL 14
 SCALE 1:20

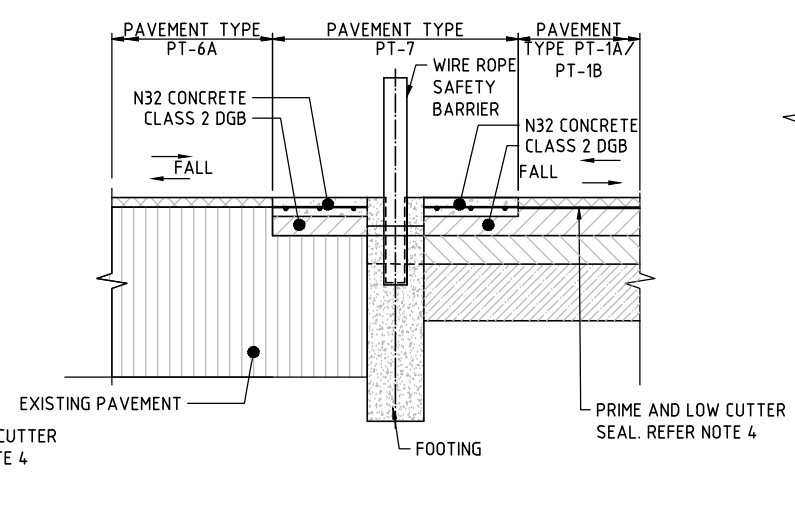
- NOTES:**
- FOR PAVEMENT PROFILE DETAILS REFER DRG No. 3002750-PV-1731.
 - 7 OR 5 SIZE FILTER MATERIALS AS SPECIFIED. COMPACT IN 300mm LAYER TO A DENSITY INDEX OF 70%
 - 100 DIA CLASS 400 AT 1% MIN LONGITUDINAL GRADE WITH FILTER FABRIC SOCK
 - PRIME AND LOW CUTTER SEAL ONLY ON NON BITUMINOUS SURFACE. ON EXISTING ASPHALT SURFACE, ONLY BITUMINOUS EMULSION TACK COAT MUST BE APPLIED. PRIME AND SEAL NOT TO BE APPLIED ON TOP OF TRENCH DRAIN.



PAVEMENT EDGE DETAIL 9
 DETAIL 09
 SCALE 1:20



PAVEMENT EDGE DETAIL 11
 DETAIL 11
 SCALE 1:20



PAVEMENT EDGE DETAIL 13
 DETAIL 13
 SCALE 1:20

150 mm ON ORIGINAL
 A1

DRAWING FILE LOCATION / NAME V:_Vault\Projects\3002750\CAD\DWG\10_PV_Pavement\3002750-PV-1732.dwg		PLOT DATE 24 May 2024		TIME 10:20:51	
REV	DATE	AMENDMENT / REVISION DESCRIPTION	WVR No.	APPROVAL	TITLE
A	19.06.2020	PRELIMINARY SKETCH PLAN	0007	DK	DRAFTER <i>N. BROOKE-TAYLOR</i>
B	08.10.2020	PRELIMINARY SKETCH PLAN	0014	DK	DRAFTING CHECK <i>X. SECUBAN</i>
C	13.11.2020	PRELIMINARY SKETCH PLAN SUBMISSION	0015	DK	DESIGNER <i>N. GALE</i>
D	29.02.2024	DRAFT DOCUMENT READINESS (DR) SUBMISSION	0036	T.VN	DESIGN CHECK <i>J. MEYER</i>
E	24.05.2024	FINAL DOCUMENT READINESS (DR) SUBMISSION	0037	T.VN	PROJECT MANAGER <i>K. DECANHA</i>
					PROJECT DIRECTOR <i>T. VAN NIEKERK</i>

EXTERNAL REFERENCE FILES		SCALES AT A1 SIZE DRAWING	
SCALE 1:20		SCALE 1:20	

DESIGNER **SMEC**
 Member of the Surlana Jurong Group
 ABN 47 065 475 149
 LEVEL 9, 12 MOORE STREET
 CANBERRA ACT 2601 AUSTRALIA
 SMEC PROJECT No 3002750

CLIENT **ACT Government**
 Transport Canberra & City Services

PROJECT TITLE WILLIAM HOVELL DRIVE DUPLICATION		REVISION E	
PAVEMENT DETAILS SHEET 2		PROJECT / DRAWING No. 3002750-PV-1732	
SCALE AS SHOWN	PHASE DETAIL DESIGN	REVISION E	

DR