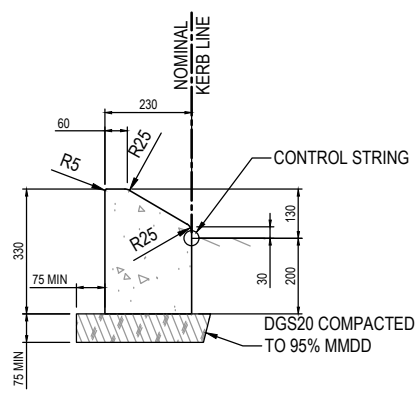
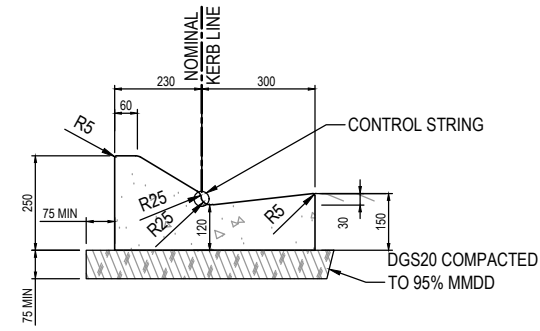


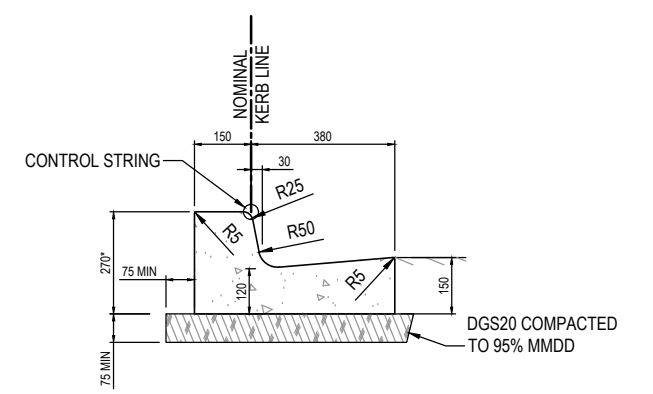
KERB ONLY (KO)
SCALE 1:10
* 200 FOR BARRIER KERB ONLY (BKO)



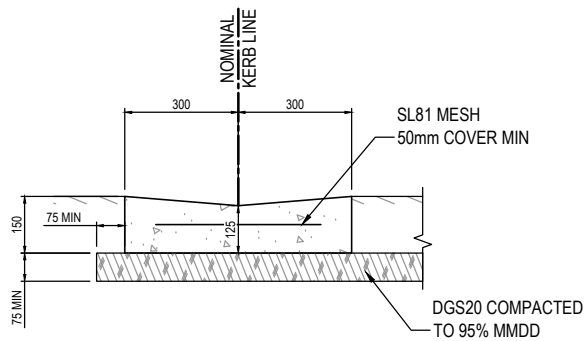
MOUNTABLE KERB (MK)
SCALE 1:10



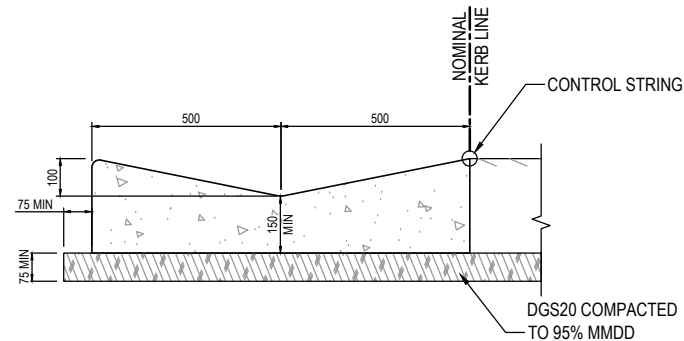
MOUNTABLE KERB AND GUTTER (MKG)
SCALE 1:10



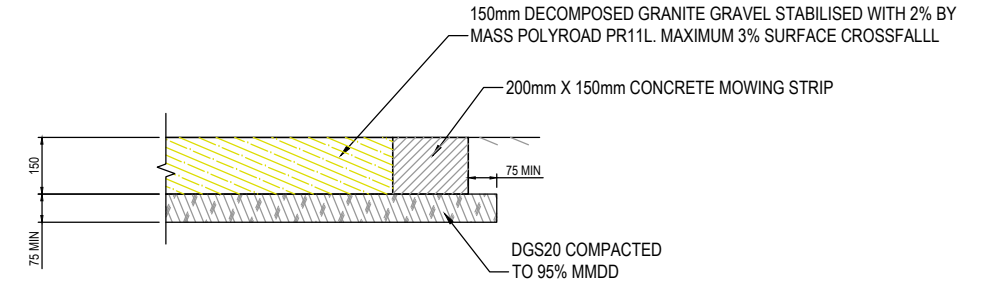
KERB AND GUTTER (KG)
SCALE 1:10
320 FOR BARRIER KERB AND GUTTER (BKG)



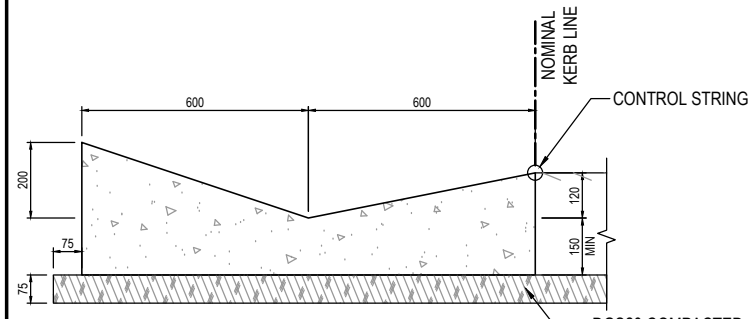
OPEN CONCRETE INVERT (OCI)
SCALE 1:10



DISHED CROSSING INCREASED WATERWAY (SO)
SCALE 1:10



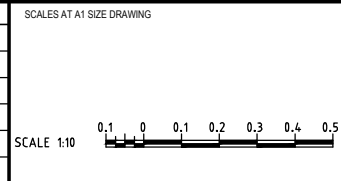
DECOMPOSED GRANITE GRAVEL
SCALE 1:10



CHANNEL ADJACENT TO SHOULDERS IN CUTTINGS (SK)
SCALE 1:10

150 mm ON ORIGINAL
A1

DRAWING FILE LOCATION / NAME V:\Vault\Projects\3002750\CAD\DWG\01_GE_General\3002750-GE-0041.dwg		PLOT DATE 23 May 2024		TIME 16:54:22	
REV	DATE	AMENDMENT / REVISION DESCRIPTION	WVR No.	APPROVAL	TITLE
A	19.06.2020	PRELIMINARY SKETCH PLAN	0007	DK	DRAFTER <i>N. BROOKE-TAYLOR</i>
B	08.10.2020	PRELIMINARY SKETCH PLAN	0014	DK	DRAFTING CHECK <i>X. SECUBAN</i>
C	13.11.2020	PRELIMINARY SKETCH PLAN SUBMISSION	0015	DK	DESIGNER <i>M. WATSON</i>
D	28.11.2023	DRAFT - ISSUED FOR RSA	0029	T.VN	DESIGN CHECK <i>L. MULYADI</i>
E	29.02.2024	DRAFT DOCUMENT READINESS (DR) SUBMISSION	0036	T.VN	PROJECT MANAGER <i>K. DECANHA</i>
F	24.05.2024	FINAL DOCUMENT READINESS (DR) SUBMISSION	0037	T.VN	PROJECT DIRECTOR <i>T. VAN NIEKERK</i>



DESIGNER

Member of the Surbana Jurong Group
ABN 47 065 475 149

LEVEL 9, 12 MOORE STREET
CANBERRA ACT 2601 AUSTRALIA
SMEC PROJECT No 3002750

CLIENT

Transport Canberra & City Services

PROJECT TITLE WILLIAM HOVELL DRIVE DUPLICATION		REVISION F	
TYPICAL DETAILS SHEET 1		PROJECT / DRAWING No. 3002750-GE-0041	
SCALE AS SHOWN	PHASE DETAIL DESIGN	REVISION F	

DR