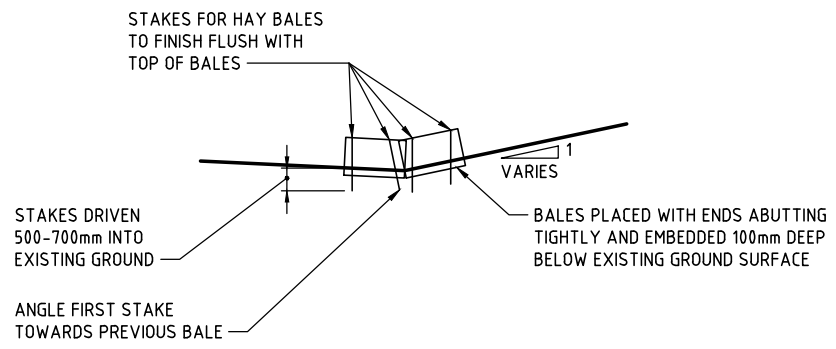


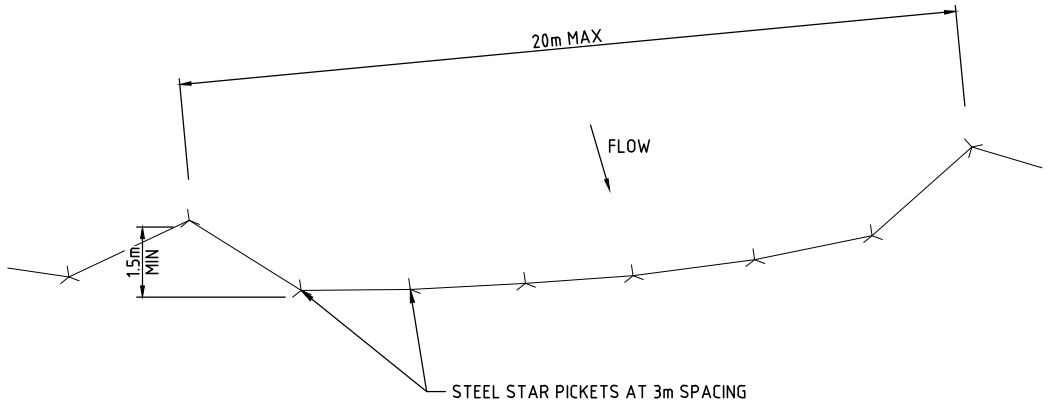
GEOTEXTILE FABRIC DESIGNED TO PREVENT INTERMIXING OF SUBGRADE AND BASE MATERIALS AND TO MAINTAIN GOOD PROPERTIES OF THE SUB-BASE LAYERS. GEOTEXTILE MAY BE A WOVEN OR NEEDLE PUNCHED PRODUCT WITH A MINIMUM CBR BURST STRENGTH (AS3706.4-90) OF 3600 (BIDIM A34)

- CONSTRUCTION NOTES:**
1. STRIP TOPSOIL AND LEVEL SITE
 2. COMPACT SUBGRADE
 3. COVER AREA WITH NEEDLE-PUNCHED GEOTEXTILE BIDIM A34 OR APPROVED EQUIVALANT
 4. CONSTRUCT 200mm THICK PAD OVER GEOTEXTILE USING ROADBASE OR 30mm AGGREGATE. MINIMUM LENGTH 15 METRES OR TO BUILDING ALIGNMENT. MINIMUM WIDTH 3 METRES
 5. CONSTRUCT HUMP IMMEDIATELY WITHIN BOUNDARY TO DIVERT WATER TO A SEDIMENT FENCE OR OTHER SEDIMENT TRAP.

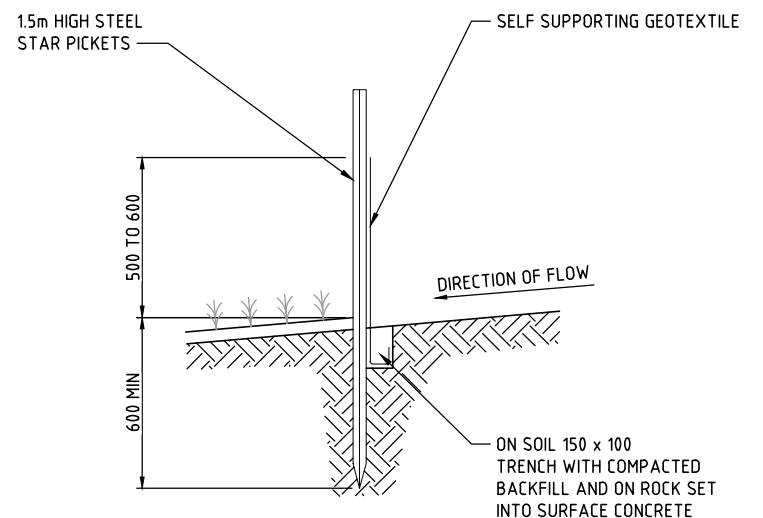
STABILISED CONSTRUCTION SITE ENTRANCE
NOT TO SCALE



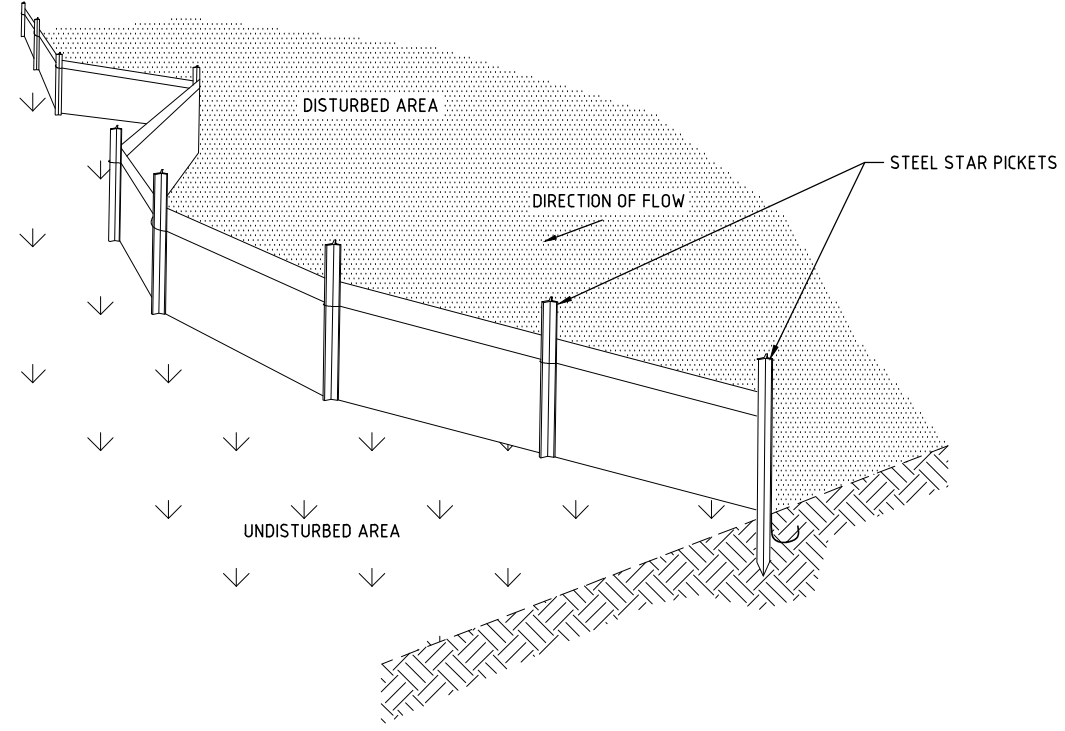
TYPICAL STAKED HAYBALE DETAIL
NOT TO SCALE



1.5m HIGH SEDIMENT FENCE PLAN
NOT TO SCALE



SEDIMENT FENCE SECTION DETAIL
NOT TO SCALE




1.5m HIGH SEDIMENT FENCE PERSPECTIVE
NOT TO SCALE

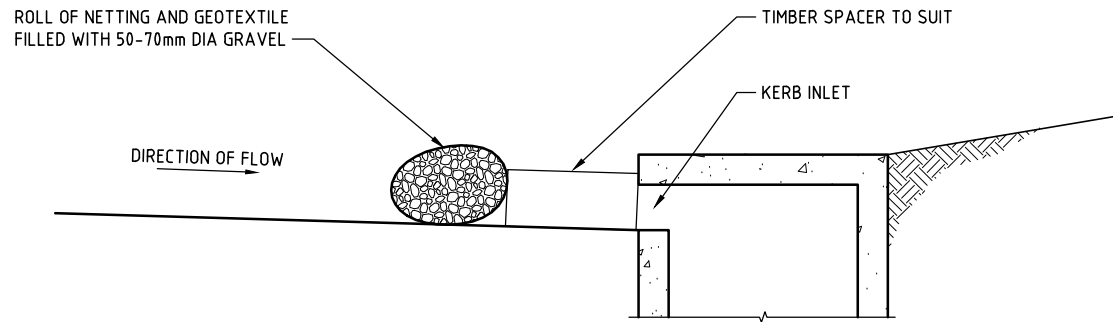
- NOTE:**
1. VITAL BON-MATT STONEWALL OR SIMILAR APPROVED PRODUCT, TO BE APPLIED TO DISTURBED AREAS AS INSTRUCTED BY THE PRINCIPAL'S APPROVED PERSON.
 2. PERPENDICULAR RETURNS TO BE INSTALLED AT THE ENDS OF SEDIMENT FENCING.
 3. SEDIMENT FENCING RETURNS TO BE CONSTRUCTED AT MAXIMUM 80m INTERVALS ALONG SLOPED SECTIONS TO REDUCE FLOW VELOCITY.
 4. STAKED BAILES OR CHECK DAMS TO BE CONSTRUCTED AT MAXIMUM 80m INTERVALS TO SLOW DOWN WEATHER FLOWS ON STEEP SECTIONS WITH A GRADE GREATER THAN 2%.
 5. CLEAN WATER DISCHARGING INTO THE SITE TO BE DIVERTED THROUGH TEMPORARY DRAINING TO CROSSINGS CONVERT TO SEPARATE IT FROM CLEAN WATER.
 6. PEARL GYPSUM TO BE USED ALONG SWALES AND CHECK DAMS WHERE WATER IS LEAVING THE SITE, TO AID IN PRECIPITATION SOLIDS.

UNCONTROLLED COPY
Check Print
NOT FOR CONSTRUCTION

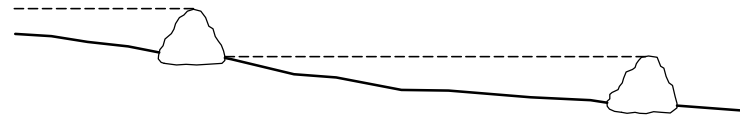
150 mm ON ORIGINAL
A1

DRAWING FILE LOCATION / NAME V:\Vault\Projects\3002750\CAD\DWG\20_EC_Erosion_sediment\3002750-EC-2105.dwg		PLOT DATE 04 May 2022		TIME 13:30:49	
EXTERNAL REFERENCE FILES	REV	DATE	AMENDMENT / REVISION DESCRIPTION	WVR No.	APPROVAL
			REVISION IN PROGRESS		
		DRAFTER		L. HESLOP	
		DRAFTING CHECK		R. GOOSEN	
		DESIGNER		J. LATIMER	
		DESIGN CHECK		E. PEREZ	
		PROJECT MANAGER		K. DE CANHA	
		PROJECT DIRECTOR		D. KEEP	
SCALES AT A1 SIZE DRAWING			DESIGNER		
			 SMEC Member of the Surlana Jurong Group SMEC AUSTRALIA PTY LTD © ABN 47 065 475 149 SUITE 2, LEVEL 1, 243 NORTHBOURNE AVENUE LYNEHAM ACT 2602 AUSTRALIA SMEC PROJECT No 3002750		
CHECK PRINT		PRELIM <input type="checkbox"/> FINAL <input type="checkbox"/>		PROJECT TITLE	
DISCIPLINE		INITIAL		WILLIAM HOVELL DRIVE DUPLICATION	
DISCIPLINE		DATE		EROSION AND SEDIMENT CONTROL TYPICAL DETAILS SHEET 01	
DISCIPLINE					
DISCIPLINE					
BACKDRAFTED/CORRECTED				SCALE	
CONFIRMED				AS SHOWN	
				PHASE	
				PSP	
				PROJECT / DRAWING No.	
				3002750-EC-2105	
				REVISION	
				0	

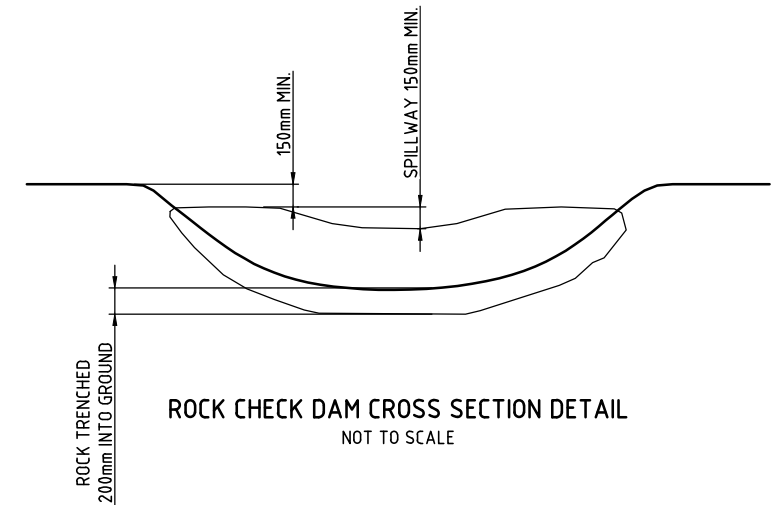
DR



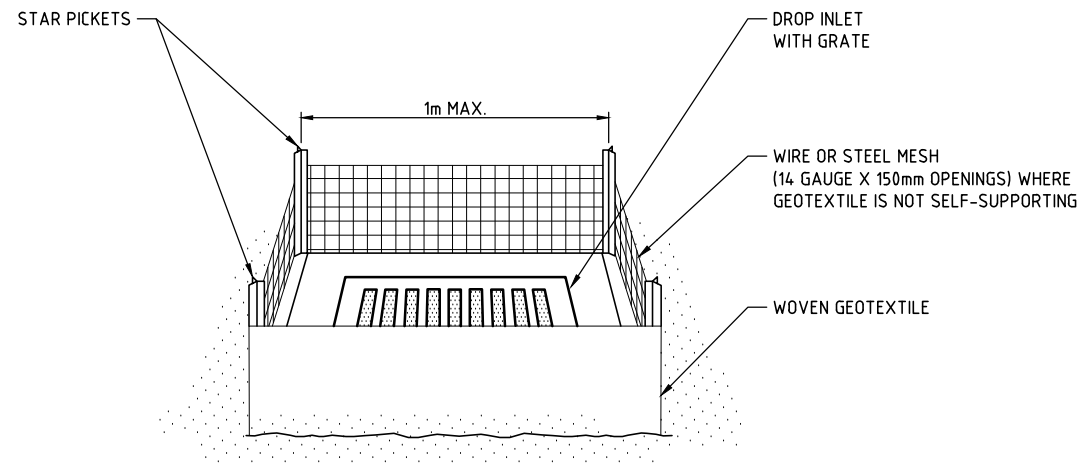
**KERB INLET PROTECTION (KIP)
SECTION DETAIL**
NOT TO SCALE



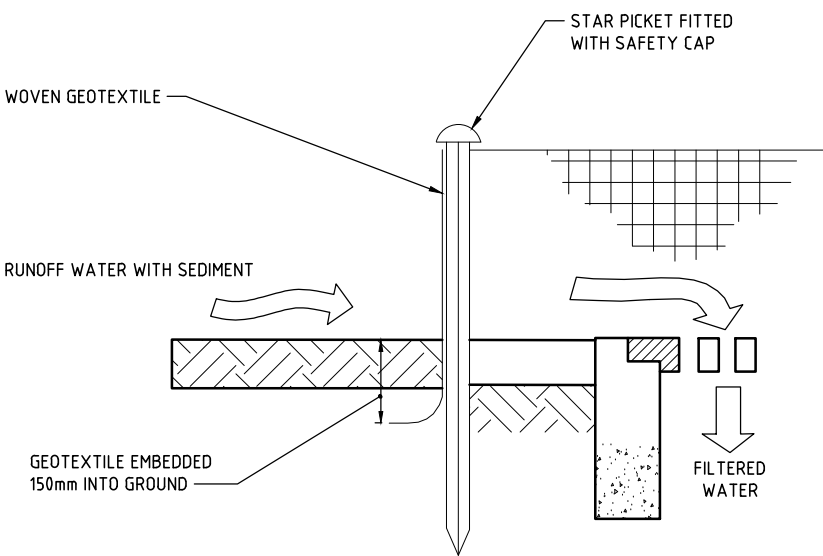
ROCK CHECK DAM ELEVATION DETAIL
NOT TO SCALE



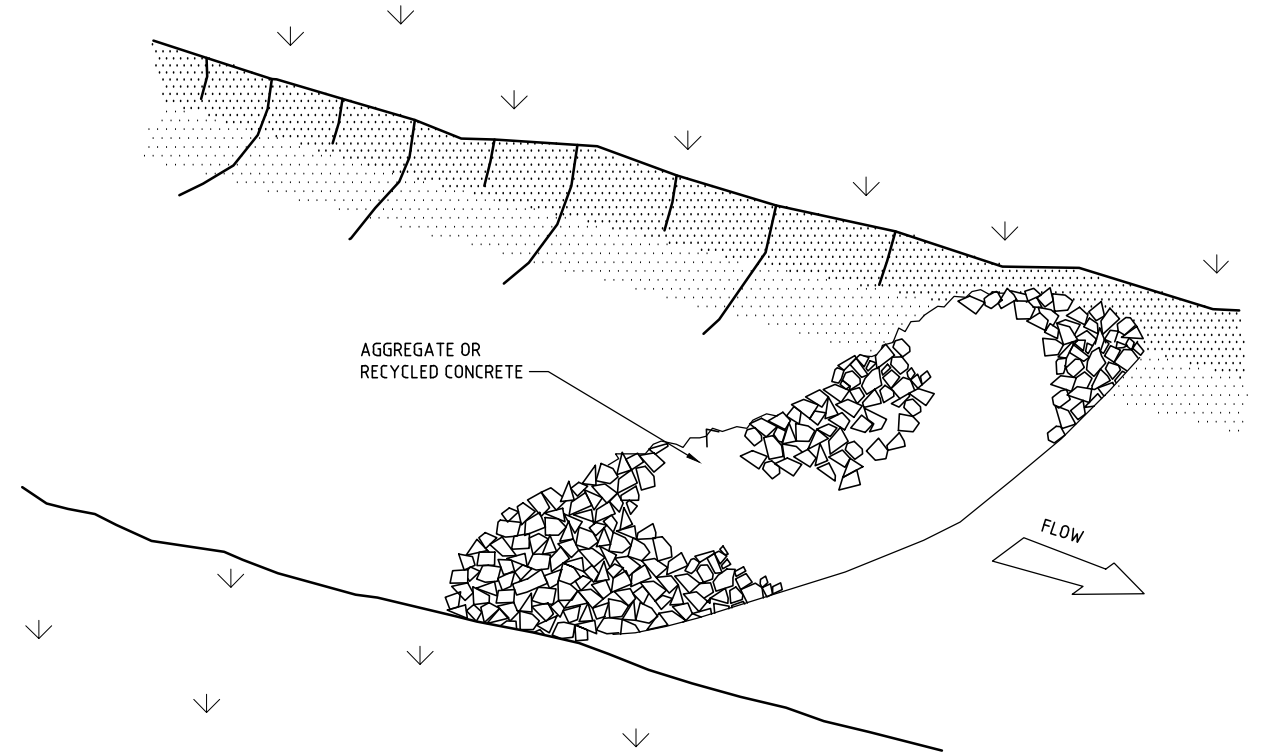
ROCK CHECK DAM CROSS SECTION DETAIL
NOT TO SCALE



GEOTEXTILE INLET FILTER PERSPECTIVE DETAIL
NOT TO SCALE



GEOTEXTILE INLET FILTER SECTION DETAIL
NOT TO SCALE



ROCK CHECK DAM PERSPECTIVE DETAIL
NOT TO SCALE

LEGEND

- PROPOSED SEDIMENT FENCE
- PROPOSED GEOTEXTILE INLET FILTER
- PROPOSED STAKED HAYBALES
- PROPOSED FILTER SOCKS AT ENTRANCE TO R SUMP AND PLANTATION SUMP

UNCONTROLLED COPY
Check Print
NOT FOR CONSTRUCTION

150 mm ON ORIGINAL
A1

DRAWING FILE LOCATION / NAME V:_Vault\Projects\3002750\CAD\DWG\20_EC_Erosion_sediment\3002750-EC-2106.dwg		PLOT DATE 04 May 2022		TIME 13:31:10	
EXTERNAL REFERENCE FILES	REV	DATE	AMENDMENT / REVISION DESCRIPTION	WVR No.	APPROVAL
			REVISION IN PROGRESS		
				DRAFTER	L. HESLOP
				DRAFTING CHECK	R. GOOSEN
				DESIGNER	J. LATIMER
				DESIGN CHECK	E. PEREZ
				PROJECT MANAGER	K. DE CANHA
				PROJECT DIRECTOR	D. KEEP

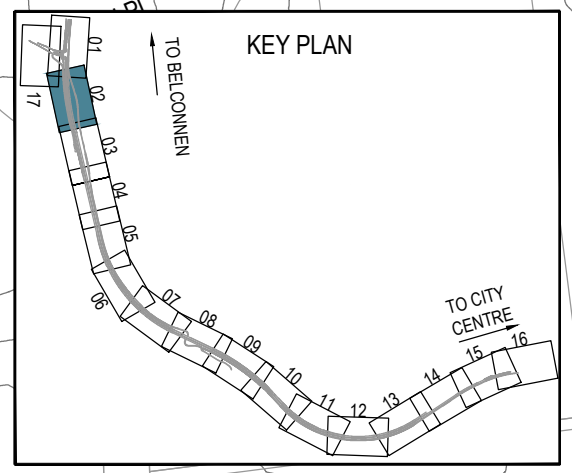
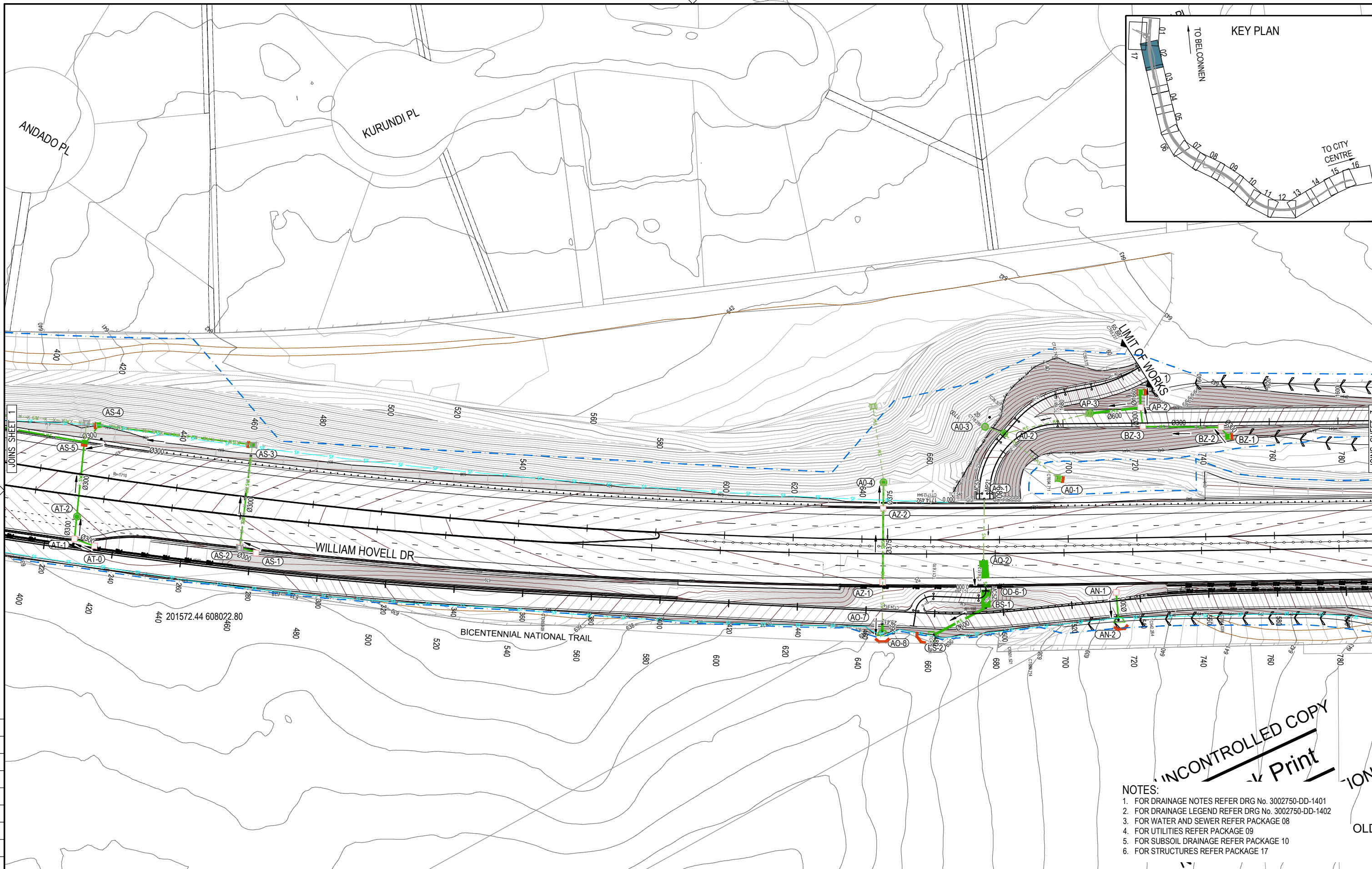
SCALES AT A1 SIZE DRAWING

DESIGNER **SMC**
Member of the **Surbana Jurong Group**
SMC AUSTRALIA PTY LTD
© ABN 47 065 475 149
SUITE 2, LEVEL 1, 243 NORTHBOURNE AVENUE
LYNEHAM ACT 2602 AUSTRALIA
SMC PROJECT No 3002750

DR

CHECK PRINT		PRELIM <input type="checkbox"/>	FINAL <input type="checkbox"/>
DISCIPLINE		INITIAL	DATE
DISCIPLINE			
DISCIPLINE			
DISCIPLINE			
BACKDRAFTED/CORRECTED			
CONFIRMED			

PROJECT TITLE WILLIAM HOVELL DRIVE DUPLICATION		PROJECT / DRAWING No. 3002750-EC-2106	
EROSION AND SEDIMENT CONTROL TYPICAL DETAILS SHEET 02		SCALE AS SHOWN	PHASE PSP
		REVISION 0	



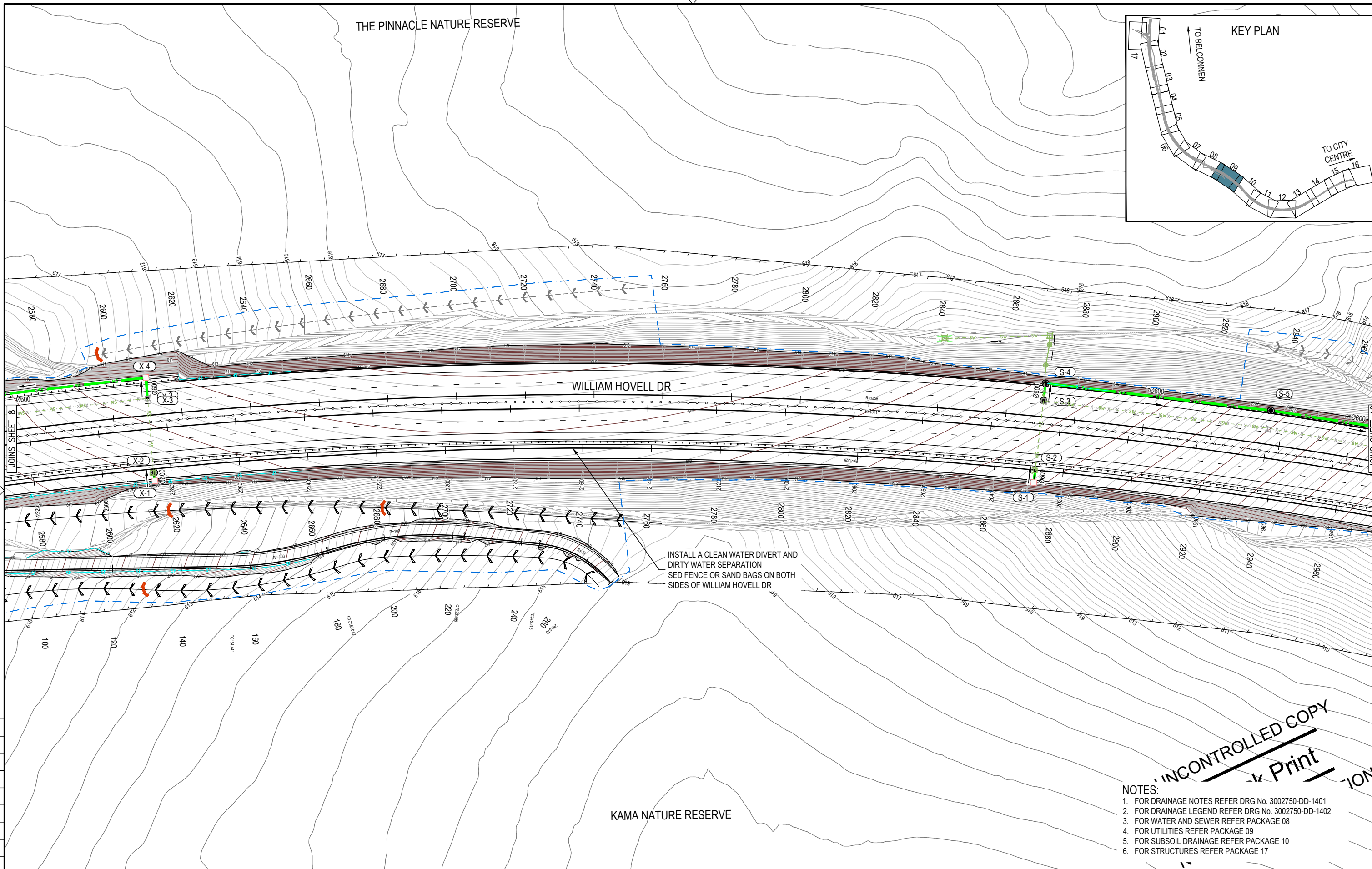
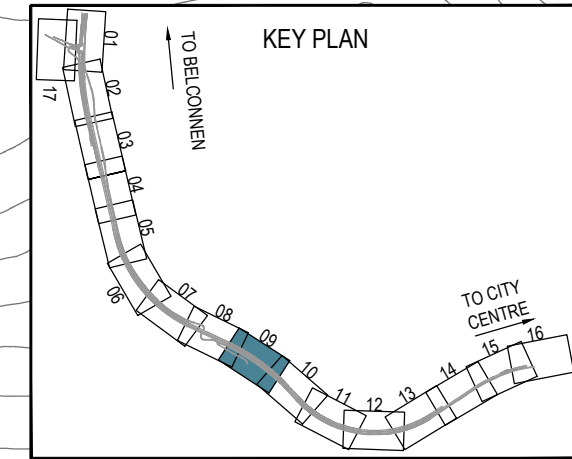
150 mm ON ORIGINAL

UNCONTROLLED COPY
 Print

NOTES:
 1. FOR DRAINAGE NOTES REFER DRG No. 3002750-DD-1401
 2. FOR DRAINAGE LEGEND REFER DRG No. 3002750-DD-1402
 3. FOR WATER AND SEWER REFER PACKAGE 08
 4. FOR UTILITIES REFER PACKAGE 09
 5. FOR SUBSOIL DRAINAGE REFER PACKAGE 10
 6. FOR STRUCTURES REFER PACKAGE 17

DRAWING FILE LOCATION / NAME V:\Vault\Projects\3002750\CAD\DWG\20_EC_Erosion_sediment\3002750-EC-2111.dwg		PLOT DATE 04 May 2022		TIME 14:04:32	
EXTERNAL REFERENCE FILES		REV	DATE	AMENDMENT / REVISION DESCRIPTION	WVR No.
REVISION IN PROGRESS					
DRAFTER L. HESLOP DRAFTING CHECK R. GOOSEN DESIGNER J. LATIMER DESIGN CHECK E. PEREZ PROJECT MANAGER K. DE CANHA PROJECT DIRECTOR D. KEEP		SCALES AT A1 SIZE DRAWING SCALE 1:500		DESIGNER SMC Member of the Surlana Jurong Group SMEC AUSTRALIA PTY LTD ABN 47 065 475 149 SUITE 2, LEVEL 1, 243 NORTHBOURNE AVENUE LYNEHAM ACT 2602 AUSTRALIA SMEC PROJECT No 3002750	
CHECK PRINT DISCIPLINE DISCIPLINE DISCIPLINE DISCIPLINE BACKDRAFTED/CORRECTED CONFIRMED		PROJECT TITLE WILLIAM HOVELL DRIVE DUPLICATION EROSION AND SEDIMENT CONTROL CONCEPT PLAN SHEET 2		SCALE AS SHOWN PHASE PSP PROJECT / DRAWING No. 3002750-EC-2111 REVISION 0	

THE PINNACLE NATURE RESERVE



KAMA NATURE RESERVE

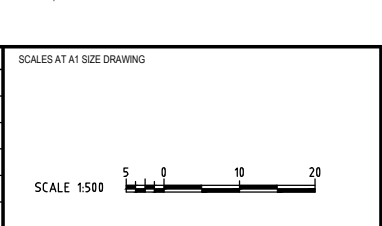
UNCONTROLLED COPY
 * Print *
 10N

NOTES:
 1. FOR DRAINAGE NOTES REFER DRG No. 3002750-DD-1401
 2. FOR DRAINAGE LEGEND REFER DRG No. 3002750-DD-1402
 3. FOR WATER AND SEWER REFER PACKAGE 08
 4. FOR UTILITIES REFER PACKAGE 09
 5. FOR SUBSOIL DRAINAGE REFER PACKAGE 10
 6. FOR STRUCTURES REFER PACKAGE 17

150 mm ON ORIGINAL
 A1

DRAWING FILE LOCATION / NAME V:\Vault\Projects\3002750\CAD\DWG\20_EC_Erosion_sediment\3002750-EC-2118.dwg		PLOT DATE 04 May 2022		TIME 13:36:14	
EXTERNAL REFERENCE FILES	REV	DATE	AMENDMENT / REVISION DESCRIPTION	WVR No.	APPROVAL
REVISION IN PROGRESS					

TITLE	NAME
DRAFTER	L. HESLOP
DRAFTING CHECK	R. GOOSEN
DESIGNER	J. LATIMER
DESIGN CHECK	E. PEREZ
PROJECT MANAGER	K. DE CANHA
PROJECT DIRECTOR	D. KEEP



DESIGNER

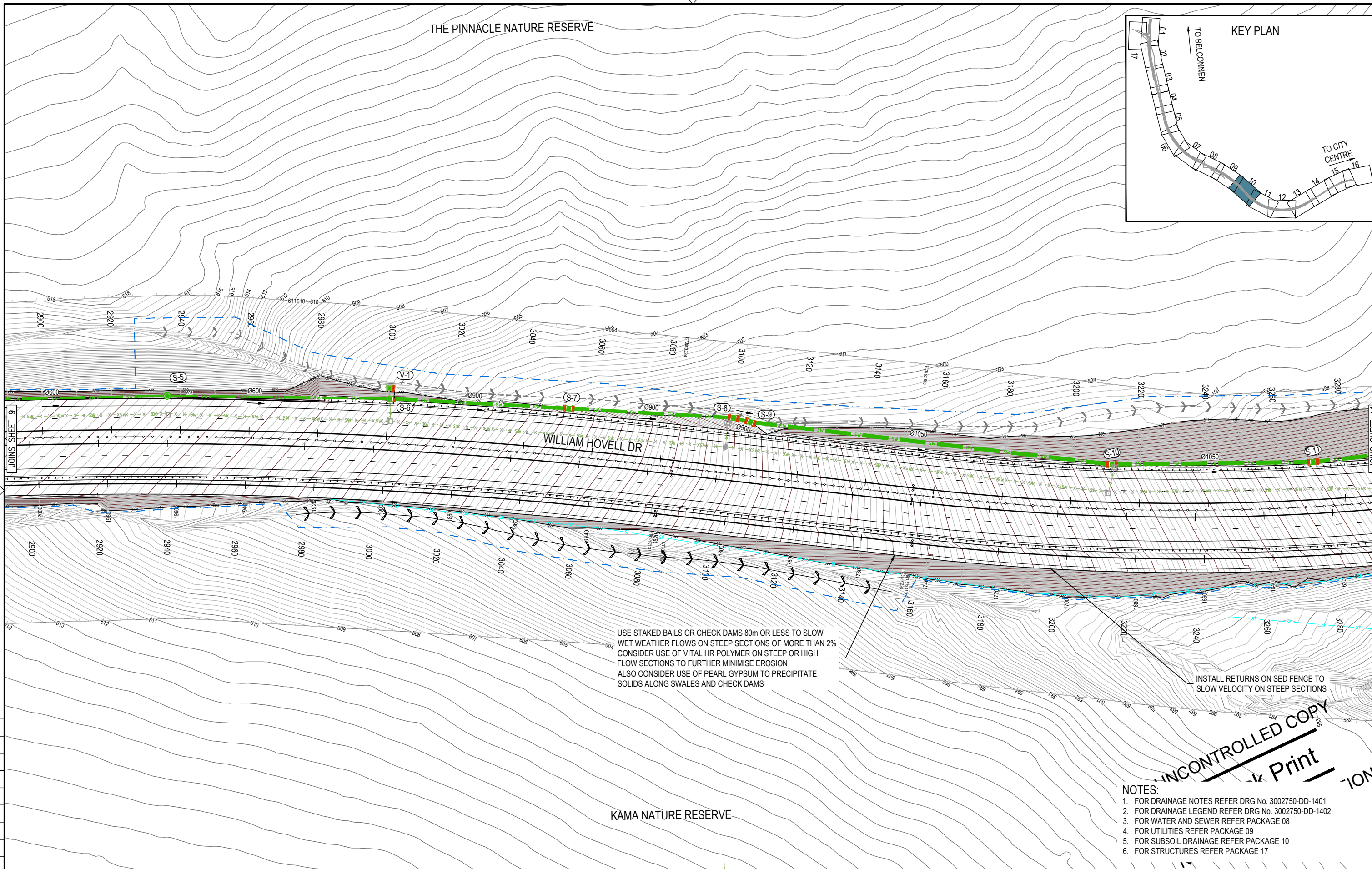
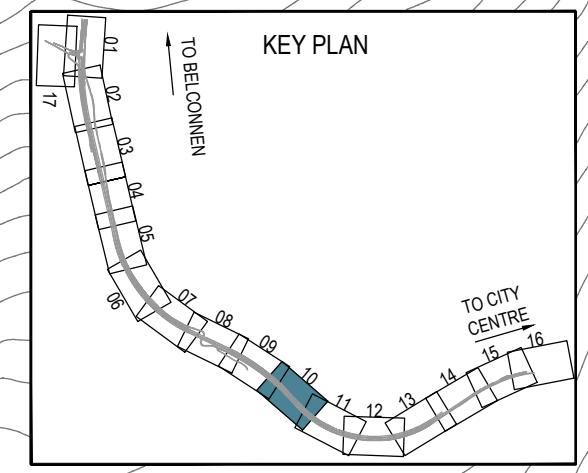
SMC
 Member of the Surlana Jurong Group
 SMC AUSTRALIA PTY LTD
 ABN 47 065 475 149
 SUITE 2, LEVEL 1, 243 NORTHBOURNE AVENUE
 LYNEHAM ACT 2602 AUSTRALIA
 SMC PROJECT No 3002750

DR

CHECK PRINT		PRELIM <input type="checkbox"/>	FINAL <input type="checkbox"/>
DISCIPLINE		INITIAL	DATE
DISCIPLINE			
DISCIPLINE			
DISCIPLINE			
BACKDRAFTED/CORRECTED			
CONFIRMED			

PROJECT TITLE WILLIAM HOVELL DRIVE DUPLICATION		PROJECT / DRAWING No. 3002750-EC-2118		REVISION 0
EROSION AND SEDIMENT CONTROL CONCEPT PLAN SHEET 9		SCALE AS SHOWN	PHASE PSP	

THE PINNACLE NATURE RESERVE



USE STAKED BAILS OR CHECK DAMS 80m OR LESS TO SLOW WET WEATHER FLOWS ON STEEP SECTIONS OF MORE THAN 2%
 CONSIDER USE OF VITAL HR POLYMER ON STEEP OR HIGH FLOW SECTIONS TO FURTHER MINIMISE EROSION
 ALSO CONSIDER USE OF PEARL GYPSUM TO PRECIPITATE SOLIDS ALONG SWALES AND CHECK DAMS

INSTALL RETURNS ON SED FENCE TO SLOW VELOCITY ON STEEP SECTIONS

UNCONTROLLED COPY
 Print
 10N

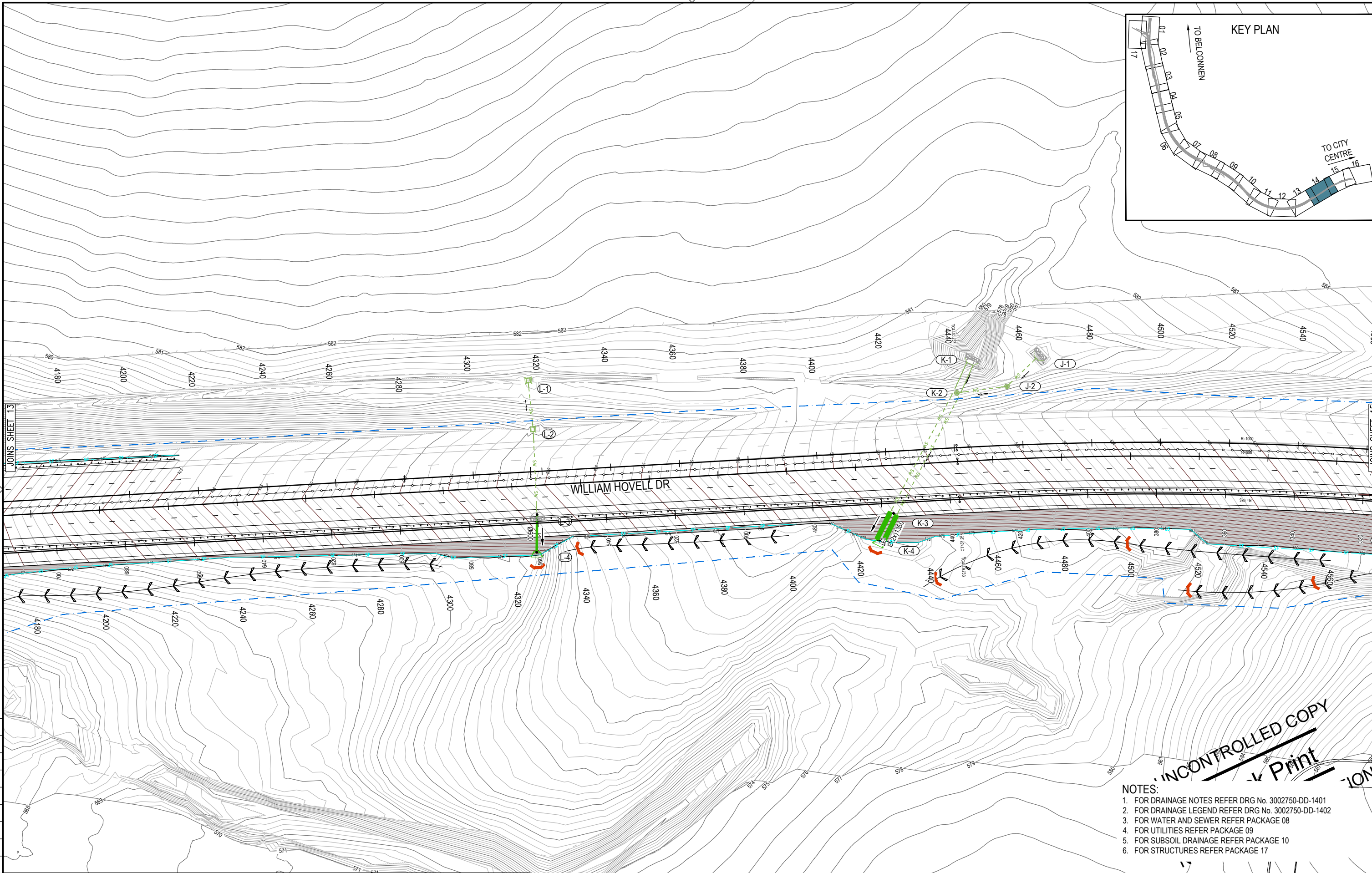
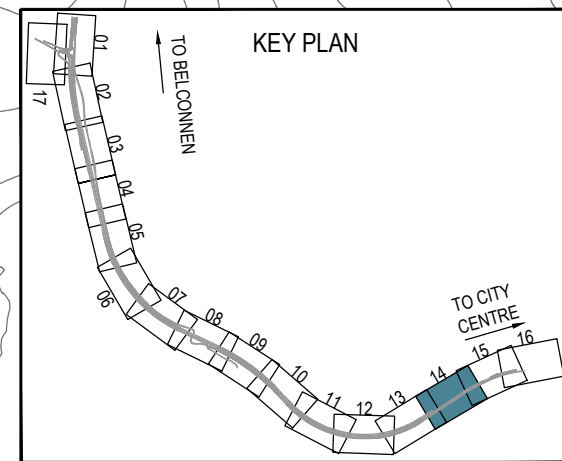
- NOTES:
1. FOR DRAINAGE NOTES REFER DRG No. 3002750-DD-1401
 2. FOR DRAINAGE LEGEND REFER DRG No. 3002750-DD-1402
 3. FOR WATER AND SEWER REFER PACKAGE 08
 4. FOR UTILITIES REFER PACKAGE 09
 5. FOR SUBSOIL DRAINAGE REFER PACKAGE 10
 6. FOR STRUCTURES REFER PACKAGE 17

KAMA NATURE RESERVE

DR

150 mm ON ORIGINAL
 A1
 150
 140
 130
 120
 110
 100
 90
 80
 70
 60
 50
 40
 30
 20
 10
 0

DRAWING FILE LOCATION / NAME V:_Vault\Projects\3002750\CAD\DWG\20_EC_Erosion_sediment\3002750-EC-2119.dwg		PLLOT DATE 04 May 2022	TIME 13:36:49
EXTERNAL REFERENCE FILES		WVR No.	APPROVAL
<p style="font-size: 2em; text-align: center;">REVISION IN PROGRESS</p>		TITLE	NAME
		DRAFTER	L. HESLOP
		DRAFTING CHECK	R. GOOSEN
		DESIGNER	J. LATIMER
		DESIGN CHECK	E. PEREZ
		PROJECT MANAGER	K. DE CANHA
		PROJECT DIRECTOR	D. KEEP
SCALES AT A1 SIZE DRAWING SCALE 1:500		DESIGNER SMEC AUSTRALIA PTY LTD Member of the Surbana Jurong Group ABN 47 065 475 149 SUITE 2, LEVEL 1, 243 NORTHBOURNE AVENUE LYNEHAM ACT 2602 AUSTRALIA SMEC PROJECT No 3002750	
CHECK PRINT DISCIPLINE DISCIPLINE DISCIPLINE DISCIPLINE BACKDRAFTED/CORRECTED CONFIRMED		PROJECT TITLE WILLIAM HOVELL DRIVE DUPLICATION EROSION AND SEDIMENT CONTROL CONCEPT PLAN SHEET 10	
SCALE AS SHOWN PHASE PSP		PROJECT / DRAWING No. 3002750-EC-2119 REVISION 0	



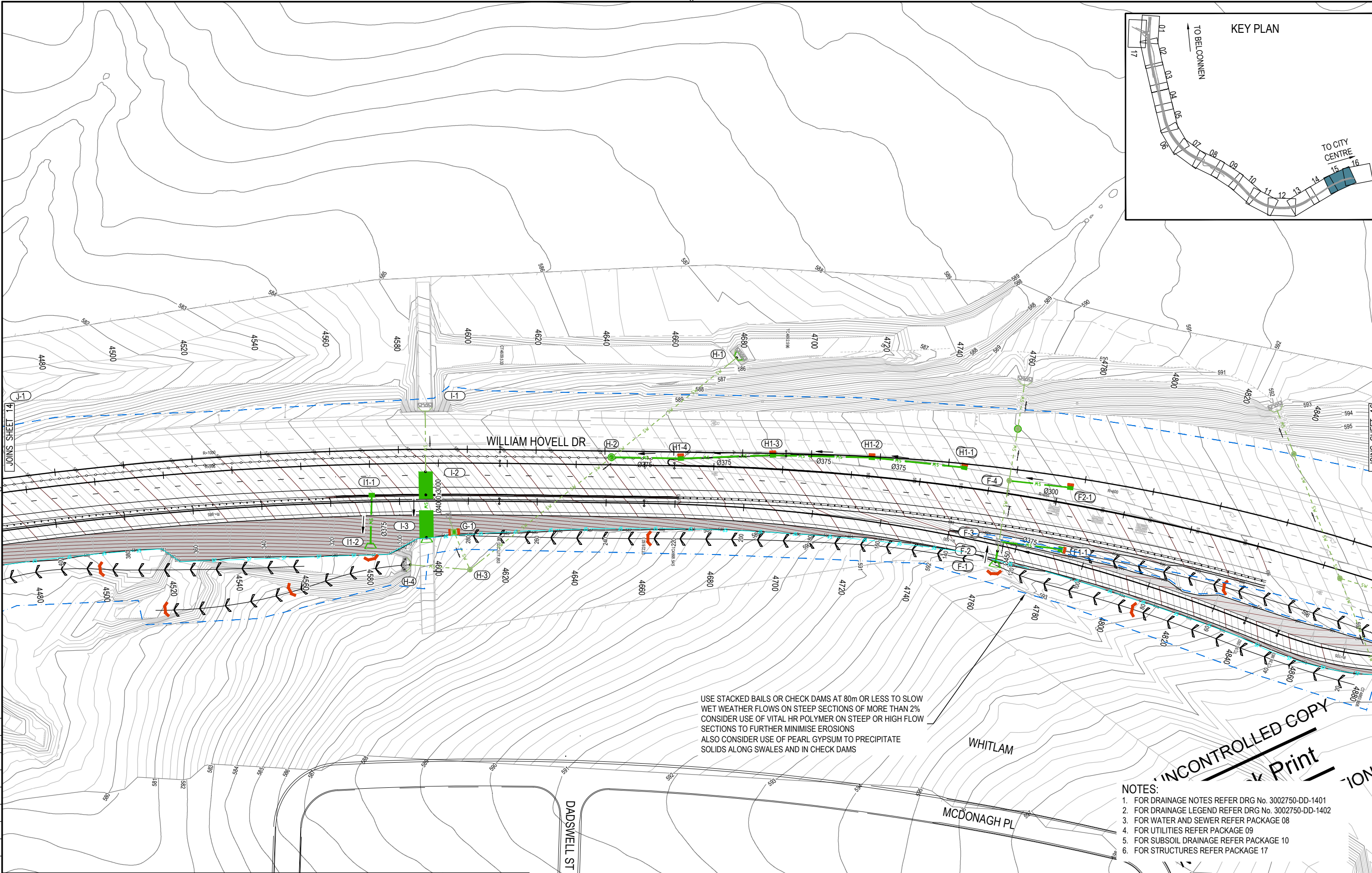
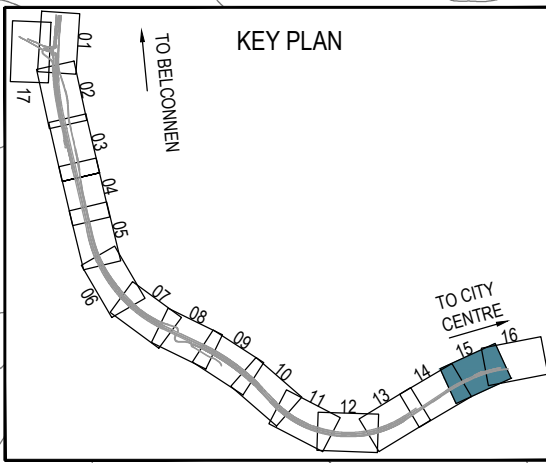
- NOTES:**
1. FOR DRAINAGE NOTES REFER DRG No. 3002750-DD-1401
 2. FOR DRAINAGE LEGEND REFER DRG No. 3002750-DD-1402
 3. FOR WATER AND SEWER REFER PACKAGE 08
 4. FOR UTILITIES REFER PACKAGE 09
 5. FOR SUBSOIL DRAINAGE REFER PACKAGE 10
 6. FOR STRUCTURES REFER PACKAGE 17

UNCONTROLLED COPY
 k Print
 10N

DR

150 mm ON ORIGINAL
 A1

DRAWING FILE LOCATION / NAME V:\Vault\Projects\3002750\CAD\DWG\20_EC_Erosion_sediment\3002750-EC-2123.dwg		<table border="1"> <tr> <th>REV</th> <th>DATE</th> <th>AMENDMENT / REVISION DESCRIPTION</th> </tr> <tr> <td colspan="3" style="text-align: center;">REVISION IN PROGRESS</td> </tr> </table>	REV	DATE	AMENDMENT / REVISION DESCRIPTION	REVISION IN PROGRESS			<table border="1"> <tr> <th>WVR No.</th> <th>APPROVAL</th> <th>TITLE</th> <th>NAME</th> </tr> <tr> <td></td> <td></td> <td>DRAFTER</td> <td>L. HESLOP</td> </tr> <tr> <td></td> <td></td> <td>DRAFTING CHECK</td> <td>R. GOOSEN</td> </tr> <tr> <td></td> <td></td> <td>DESIGNER</td> <td>J. LATIMER</td> </tr> <tr> <td></td> <td></td> <td>DESIGN CHECK</td> <td>E. PEREZ</td> </tr> <tr> <td></td> <td></td> <td>PROJECT MANAGER</td> <td>K. DE CANHA</td> </tr> <tr> <td></td> <td></td> <td>PROJECT DIRECTOR</td> <td>D. KEEP</td> </tr> </table>	WVR No.	APPROVAL	TITLE	NAME			DRAFTER	L. HESLOP			DRAFTING CHECK	R. GOOSEN			DESIGNER	J. LATIMER			DESIGN CHECK	E. PEREZ			PROJECT MANAGER	K. DE CANHA			PROJECT DIRECTOR	D. KEEP	<table border="1"> <tr> <th>SCALE</th> <th>SCALE AT A1 SIZE DRAWING</th> </tr> <tr> <td>SCALE 1:500</td> <td>SCALE 1:500</td> </tr> </table>	SCALE	SCALE AT A1 SIZE DRAWING	SCALE 1:500	SCALE 1:500	<table border="1"> <tr> <th>DESIGNER</th> <th>SMC PROJECT No</th> </tr> <tr> <td> Member of the Surbana Jurong Group SMEC AUSTRALIA PTY LTD ABN 47 065 475 149 SUITE 2, LEVEL 1, 243 NORTHBOURNE AVENUE LYNEHAM ACT 2602 AUSTRALIA SMEC PROJECT No 3002750 </td> <td>3002750</td> </tr> </table>	DESIGNER	SMC PROJECT No	 Member of the Surbana Jurong Group SMEC AUSTRALIA PTY LTD ABN 47 065 475 149 SUITE 2, LEVEL 1, 243 NORTHBOURNE AVENUE LYNEHAM ACT 2602 AUSTRALIA SMEC PROJECT No 3002750	3002750	<table border="1"> <tr> <th colspan="2">CHECK PRINT</th> <th>PRELIM</th> <th>FINAL</th> </tr> <tr> <td>DISCIPLINE</td> <td></td> <td><input type="checkbox"/></td> <td><input type="checkbox"/></td> </tr> <tr> <td>DISCIPLINE</td> <td></td> <td><input type="checkbox"/></td> <td><input type="checkbox"/></td> </tr> <tr> <td>DISCIPLINE</td> <td></td> <td><input type="checkbox"/></td> <td><input type="checkbox"/></td> </tr> <tr> <td>DISCIPLINE</td> <td></td> <td><input type="checkbox"/></td> <td><input type="checkbox"/></td> </tr> <tr> <td>BACKDRAFTED/CORRECTED</td> <td></td> <td><input type="checkbox"/></td> <td><input type="checkbox"/></td> </tr> <tr> <td>CONFIRMED</td> <td></td> <td><input type="checkbox"/></td> <td><input type="checkbox"/></td> </tr> </table>	CHECK PRINT		PRELIM	FINAL	DISCIPLINE		<input type="checkbox"/>	<input type="checkbox"/>	DISCIPLINE		<input type="checkbox"/>	<input type="checkbox"/>	DISCIPLINE		<input type="checkbox"/>	<input type="checkbox"/>	DISCIPLINE		<input type="checkbox"/>	<input type="checkbox"/>	BACKDRAFTED/CORRECTED		<input type="checkbox"/>	<input type="checkbox"/>	CONFIRMED		<input type="checkbox"/>	<input type="checkbox"/>	<table border="1"> <tr> <td colspan="2">PROJECT TITLE</td> <td colspan="2">WILLIAM HOVELL DRIVE DUPLICATION</td> </tr> <tr> <td colspan="2">EROSION AND SEDIMENT CONTROL</td> <td colspan="2">CONCEPT PLAN SHEET 14</td> </tr> <tr> <td>SCALE</td> <td>PHASE</td> <td>PROJECT / DRAWING No.</td> <td>REVISION</td> </tr> <tr> <td>AS SHOWN</td> <td>PSP</td> <td>3002750-EC-2123</td> <td>0</td> </tr> </table>	PROJECT TITLE		WILLIAM HOVELL DRIVE DUPLICATION		EROSION AND SEDIMENT CONTROL		CONCEPT PLAN SHEET 14		SCALE	PHASE	PROJECT / DRAWING No.	REVISION	AS SHOWN	PSP	3002750-EC-2123	0
REV	DATE	AMENDMENT / REVISION DESCRIPTION																																																																																											
REVISION IN PROGRESS																																																																																													
WVR No.	APPROVAL	TITLE	NAME																																																																																										
		DRAFTER	L. HESLOP																																																																																										
		DRAFTING CHECK	R. GOOSEN																																																																																										
		DESIGNER	J. LATIMER																																																																																										
		DESIGN CHECK	E. PEREZ																																																																																										
		PROJECT MANAGER	K. DE CANHA																																																																																										
		PROJECT DIRECTOR	D. KEEP																																																																																										
SCALE	SCALE AT A1 SIZE DRAWING																																																																																												
SCALE 1:500	SCALE 1:500																																																																																												
DESIGNER	SMC PROJECT No																																																																																												
 Member of the Surbana Jurong Group SMEC AUSTRALIA PTY LTD ABN 47 065 475 149 SUITE 2, LEVEL 1, 243 NORTHBOURNE AVENUE LYNEHAM ACT 2602 AUSTRALIA SMEC PROJECT No 3002750	3002750																																																																																												
CHECK PRINT		PRELIM	FINAL																																																																																										
DISCIPLINE		<input type="checkbox"/>	<input type="checkbox"/>																																																																																										
DISCIPLINE		<input type="checkbox"/>	<input type="checkbox"/>																																																																																										
DISCIPLINE		<input type="checkbox"/>	<input type="checkbox"/>																																																																																										
DISCIPLINE		<input type="checkbox"/>	<input type="checkbox"/>																																																																																										
BACKDRAFTED/CORRECTED		<input type="checkbox"/>	<input type="checkbox"/>																																																																																										
CONFIRMED		<input type="checkbox"/>	<input type="checkbox"/>																																																																																										
PROJECT TITLE		WILLIAM HOVELL DRIVE DUPLICATION																																																																																											
EROSION AND SEDIMENT CONTROL		CONCEPT PLAN SHEET 14																																																																																											
SCALE	PHASE	PROJECT / DRAWING No.	REVISION																																																																																										
AS SHOWN	PSP	3002750-EC-2123	0																																																																																										



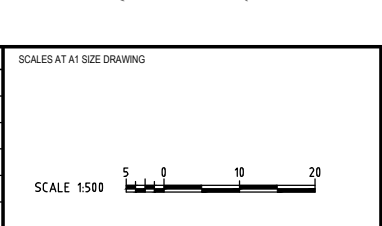
USE STACKED BAILS OR CHECK DAMS AT 80m OR LESS TO SLOW WET WEATHER FLOWS ON STEEP SECTIONS OF MORE THAN 2%
 CONSIDER USE OF VITAL HR POLYMER ON STEEP OR HIGH FLOW SECTIONS TO FURTHER MINIMISE EROSIONS
 ALSO CONSIDER USE OF PEARL GYPSUM TO PRECIPITATE SOLIDS ALONG SWALES AND IN CHECK DAMS

- NOTES:**
1. FOR DRAINAGE NOTES REFER DRG No. 3002750-DD-1401
 2. FOR DRAINAGE LEGEND REFER DRG No. 3002750-DD-1402
 3. FOR WATER AND SEWER REFER PACKAGE 08
 4. FOR UTILITIES REFER PACKAGE 09
 5. FOR SUBSOIL DRAINAGE REFER PACKAGE 10
 6. FOR STRUCTURES REFER PACKAGE 17

150 mm ON ORIGINAL
A1

DRAWING FILE LOCATION / NAME V:\Vault\Projects\3002750\CAD\DWG\20_EC_Erosion_sediment\3002750-EC-2124.dwg		REV	DATE	AMENDMENT / REVISION DESCRIPTION
EXTERNAL REFERENCE FILES		WVR No.	APPROVAL	TITLE
<p style="font-size: 2em; text-align: center;">REVISION IN PROGRESS</p>				

NAME	L. HESLOP
DRAFTER	R. GOOSEN
DESIGNER	J. LATIMER
DESIGN CHECK	E. PEREZ
PROJECT MANAGER	K. DE CANHA
PROJECT DIRECTOR	D. KEEP

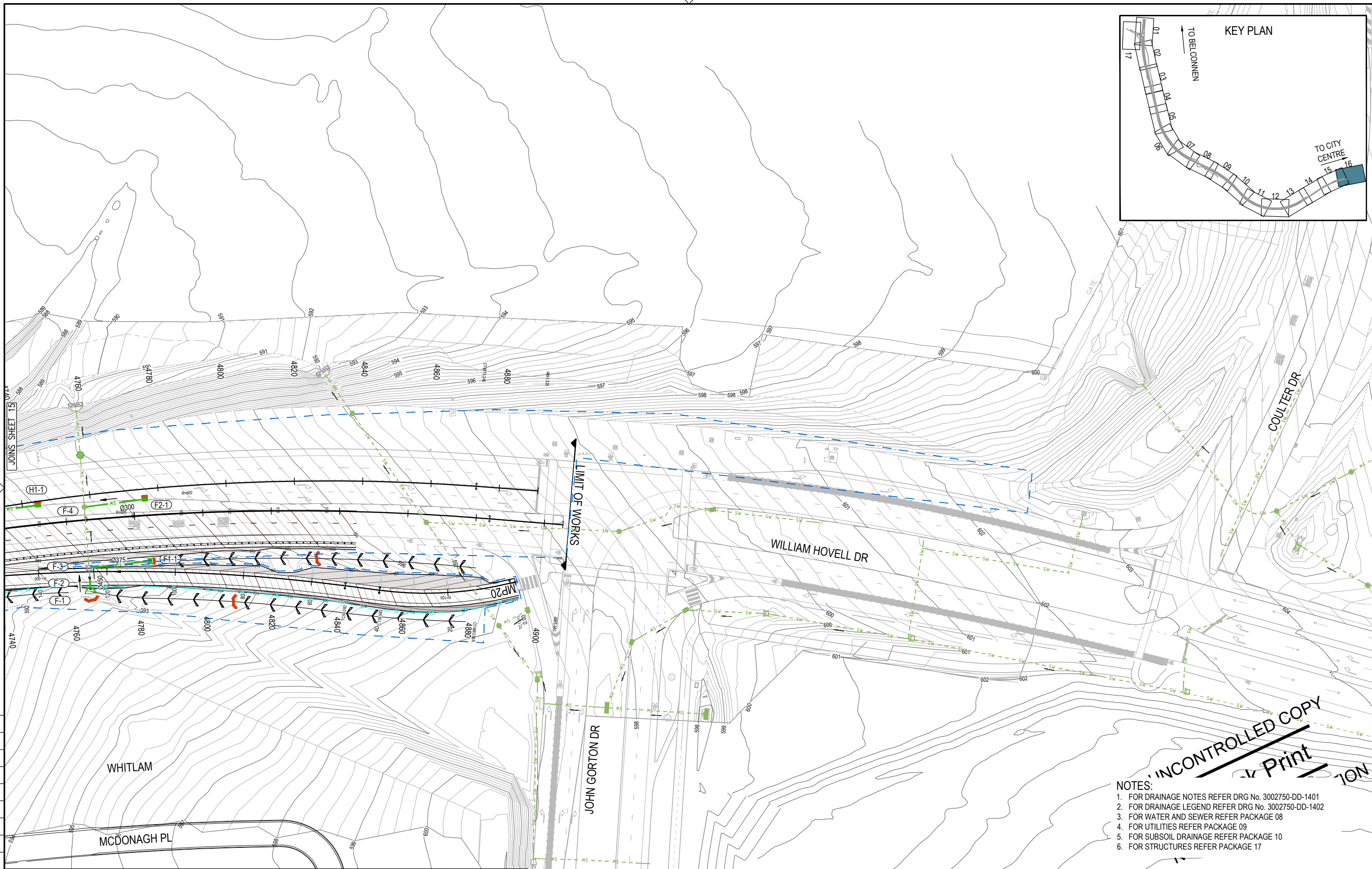
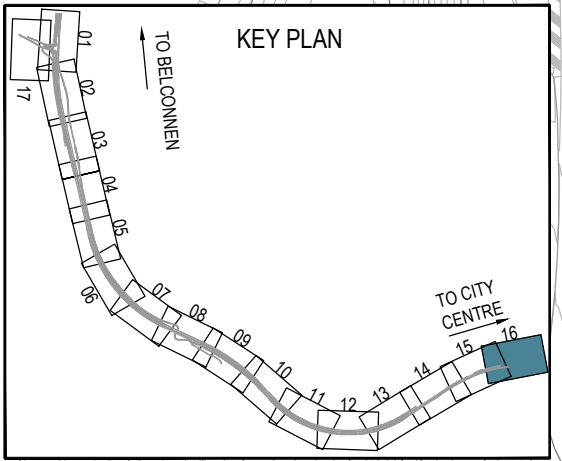


DESIGNER

SMEC
 Member of the Surlana Jurong Group
 SMEC AUSTRALIA PTY LTD
 ABN 47 065 475 149
 SUITE 2, LEVEL 1, 243 NORTHBOURNE AVENUE
 LYNEHAM ACT 2602 AUSTRALIA
 SMEC PROJECT No 3002750

CHECK PRINT		PRELIM <input type="checkbox"/>	FINAL <input type="checkbox"/>
DISCIPLINE		INITIAL	DATE
DISCIPLINE			
DISCIPLINE			
DISCIPLINE			
BACKDRAFTED/CORRECTED			
CONFIRMED			

PROJECT TITLE		WILLIAM HOVELL DRIVE DUPLICATION	
PROJECT TITLE		EROSION AND SEDIMENT CONTROL CONCEPT PLAN SHEET 15	
SCALE	PHASE	PROJECT / DRAWING No.	REVISION
AS SHOWN	PSP	3002750-EC-2124	0



UNCONTROLLED COPY
 Print
 10N

NOTES:
 1. FOR DRAINAGE NOTES REFER DRG No. 3002750-DD-1401
 2. FOR DRAINAGE LEGEND REFER DRG No. 3002750-DD-1402
 3. FOR WATER AND SEWER REFER PACKAGE 08
 4. FOR UTILITIES REFER PACKAGE 09
 5. FOR SUBSOIL DRAINAGE REFER PACKAGE 10
 6. FOR STRUCTURES REFER PACKAGE 17

150 mm ON ORIGINAL
 A1

DRAWING FILE LOCATION / NAME V:\Vault\Projects\3002750\CAD\DWG\I20_EC_Erosion_sediment\3002750-EC-2125.dwg		REV	DATE	AMENDMENT / REVISION DESCRIPTION
REVISION IN PROGRESS				

WVR No.	APPROVAL	TITLE	NAME
		DRAFTER	L. HESLOP
		DRAFTING CHECK	R. GOOSEN
		DESIGNER	J. LATIMER
		DESIGN CHECK	E. PEREZ
		PROJECT MANAGER	K. DE CANHA
		PROJECT DIRECTOR	D. KEEP

SCALES AT A1 SIZE DRAWING	SCALE 1:500

DESIGNER **SMEC**
 Member of the **Surbana Jurong Group**
 SMEC AUSTRALIA PTY LTD
 ABN 47 065 475 149
 SUITE 2, LEVEL 1, 243 NORTHBOURNE AVENUE
 LYNEHAM ACT 2602 AUSTRALIA
 SMEC PROJECT No 3002750

CHECK PRINT	PRELIM	FINAL
	INITIAL	DATE
DISCIPLINE		
DISCIPLINE		
DISCIPLINE		
DISCIPLINE		
BACKDRAFTED/CORRECTED		
CONFIRMED		

PROJECT TITLE WILLIAM HOVELL DRIVE DUPLICATION		REVISION 0	
EROSION AND SEDIMENT CONTROL CONCEPT PLAN SHEET 16		PROJECT / DRAWING No. 3002750-EC-2125	
SCALE AS SHOWN	PHASE PSP	PROJECT / DRAWING No. 3002750-EC-2125	

DR