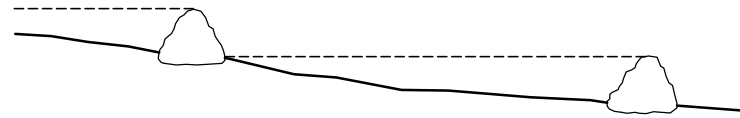
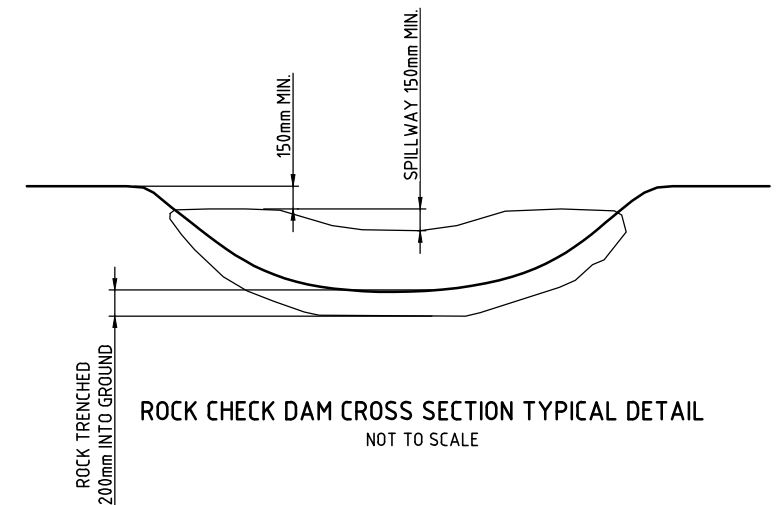


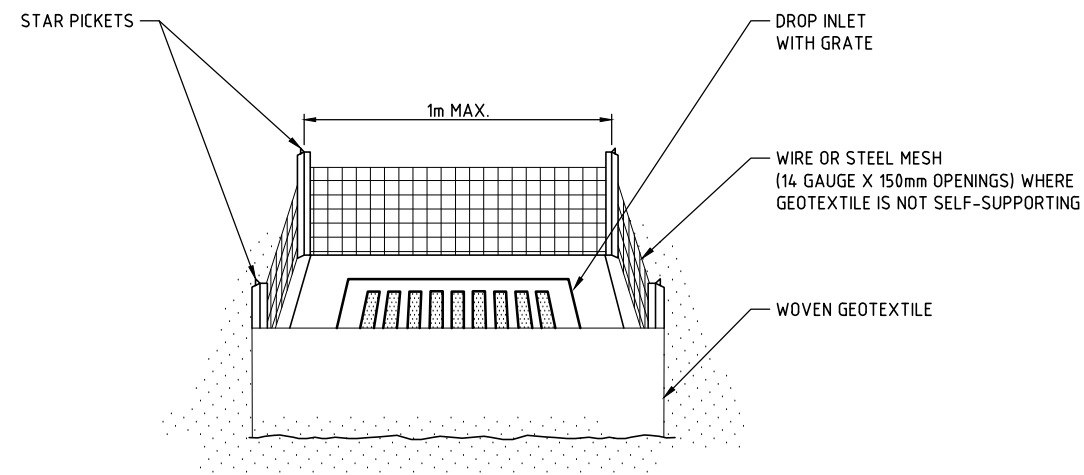
**KERB INLET PROTECTION (KIP)  
SECTION TYPICAL DETAIL**  
NOT TO SCALE



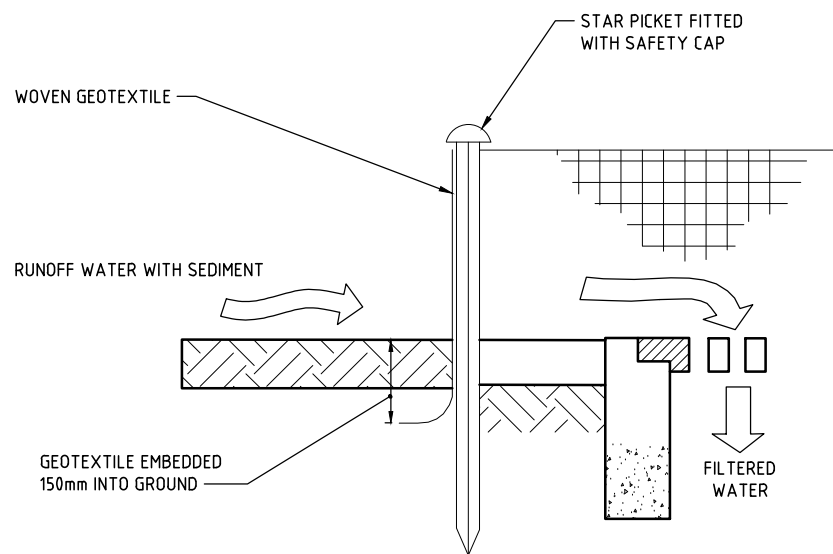
**ROCK CHECK DAM ELEVATION TYPICAL DETAIL**  
NOT TO SCALE



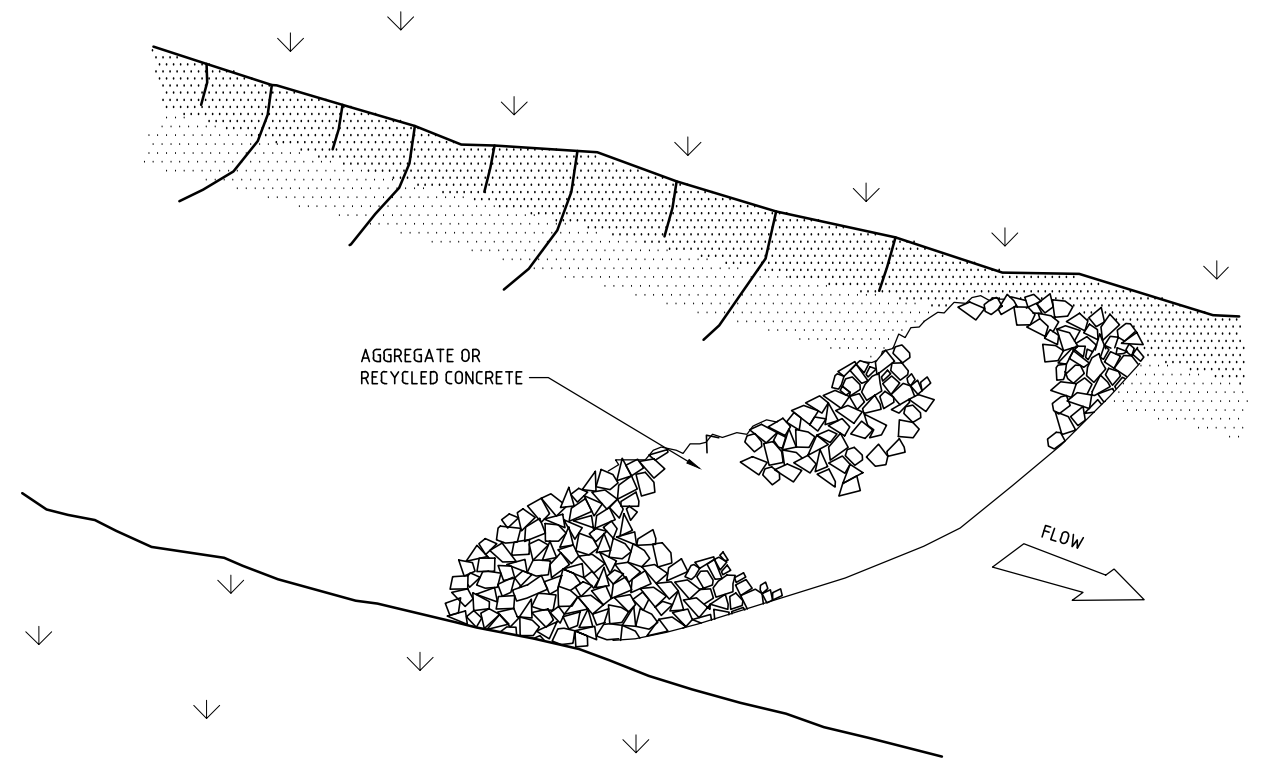
**ROCK CHECK DAM CROSS SECTION TYPICAL DETAIL**  
NOT TO SCALE



**GEOTEXTILE INLET FILTER PERSPECTIVE TYPICAL DETAIL**  
NOT TO SCALE



**GEOTEXTILE INLET FILTER SECTION TYPICAL DETAIL**  
NOT TO SCALE




**ROCK CHECK DAM PERSPECTIVE TYPICAL DETAIL**  
NOT TO SCALE

150 mm ON ORIGINAL  
A1

DRAWING FILE LOCATION / NAME V:\_Vault\Projects\3002750\CAD\DWG\20_EC_Erosion_sediment\3002750-EC-2106.dwg		PLOT DATE 23 May 2024		TIME 17:58:35	
EXTERNAL REFERENCE FILES	REV A	DATE 15.03.2024	AMENDMENT / REVISION DESCRIPTION DRAFT DOCUMENT READINESS (DR) SUBMISSION	WVR No. 0036	APPROVAL T.VN
					TITLE DRAFTER DRAFTING CHECK DESIGNER DESIGN CHECK PROJECT MANAGER PROJECT DIRECTOR
					NAME <i>N. BROOKE-TAYLOR</i> <i>X. SECUBAN</i> <i>T. THINN</i> <i>L. MULYADI</i> <i>K. DECANHA</i> <i>T. VAN NIEKERK</i>

SCALES AT A1 SIZE DRAWING
---------------------------

DESIGNER



Member of the Surbana Jurong Group  
ABN 47 065 475 149

LEVEL 9, 12 MOORE STREET  
CANNBERRA ACT 2601 AUSTRALIA  
SMEC PROJECT No 3002750

CLIENT



Transport Canberra & City Services

PROJECT TITLE WILLIAM HOVELL DRIVE DUPLICATION			
CONCEPT EROSION AND SEDIMENT CONTROL TYPICAL DETAILS SHEET 02			
SCALE AS SHOWN	PHASE DETAIL DESIGN	PROJECT / DRAWING No. 3002750-EC-2106	REVISION B

DR