

**CONTACT DETAILS:**  
 CONSTRUCTION COMPANY: TBC  
 PRE-CONSTRUCTION MANAGER TBC  
 EPA AGREEMENT: TBC  
 \*\*\*

**PROJECT DESCRIPTION:**  
 LOCATION: BLOCK 1, SECTION 82 WESTON ACT  
 SITE AREA: 58,596m<sup>2</sup>  
 DESCRIPTION OF WORKS: MIXED USE DEVELOPMENT

**HOURS OF OPERATION:**  
 MONDAY TO SATURDAY: \*\*\*  
 SUNDAY & PUBLIC HOLIDAYS: \*\*\*

CUT/FILL BALANCE: \*\*\*  
 ESTIMATED IMPORT: \*\*\*  
 ESTIMATED UNSUITABLE: \*\*\*

- GENERAL NOTES:**
- ALL CONSTRUCTION AND DEVELOPMENT WORKS TO BE IN ACCORDANCE WITH 'ENVIRONMENT PROTECTION GUIDELINES FOR CONSTRUCTION AND LAND DEVELOPMENT, 2011';
  - THE CONTRACTOR PROPOSING TO DEVELOP THE SITE MUST HOLD AN ENVIRONMENT AUTHORISATION OFR ENTER INTO AN ENVIRONMENT PROTECTION AGREEMENT WITH THE ENVIRONMENT PROTECTION AUTHORITY (EPA) IN RESPECT OF THE ACTIVITY PRIOR TO COMMENCING WORK.
  - ADDITIONAL EROSION CONTROL MEASURES WILL BE REQUIRED BASED ON SITE STAGING ADOPTED BY THE CONTRACTOR.
  - CONTRACTOR IS TO ENSURE ALL APPROVALS ARE OBTAINED PRIOR TO COMMENCEMENT OF CONSTRUCTION.
  - WASTE ENCLOSURE(S) WILL BE USED FOR ALL RUBBISH ON SITE AND RUBBISH WILL BE REMOVED FROM ENCLOSURE(S) WHEN REQUIRED OR FULL.

- VERGE GRASSING NOTES:**
- DURING THE PROJECT, RETAIN ALL EXISTING VERGE GRASS COVER, WATERING MAY BE REQUIRED TO RETAIN THE GRASS AND TREES IN GOOD CONDITION.
  - AT THE COMPLETION OF CONSTRUCTION, VERGES SHOULD STILL HAVE ESTABLISHED DRYLAND GRASS COVER. TOPSOIL IS NOT TO BE REMOVED AND THE SOIL LEVEL MUST NOT BE CHANGED.
  - IF THE STANDARD OF GRASS COVER ON THE VERGE IS TO BE IMPROVED, THE FOLLOWING REQUIREMENTS APPLY.
    - LIGHTLY CULTIVATE THE SOIL TO 25mm - 50mm DEPTH (50mm MAXIMUM TO MINIMISE DAMAGE TO TREE ROOTS. CULTIVATE ONLY IN ONE DIRECTION, AVOID MAJOR ROOTS AND KEEP A MINIMUM OF 1-2m AWAY FROM TREE TRUNKS.
    - ADD 'B TYPE' TOPSOIL AT 25mm - 50mm DEPTH. LEVEL THE TOPSOIL AND ADD NPK FERTILISER (EQUIVALENT TO MULTIGRO) AT 40G/m<sup>2</sup>.
    - LAY TURF OR SOW SEED OF SUITABLE DROUGHT TOLERANT SPECIES. KEEP MOIST DURING ESTABLISHMENT.
    - AN IN GROUND IRRIGATION SYSTEM WILL NOT BE PERMITTED IN THE VERGE. A SYSTEM OF QUICK COUPLERS AT THE LEASE EDGE OF THE VERGE MAY BE INSTALLED. SUBJECT TO CANTBERRA URBAN PARKS AND PLACES APPROVAL OF THE IRRIGATION PLAN.
  - ANY DAMAGE THAT OCCURS TO TREES IS TO BE REPAIRED AT THE DEVELOPERS EXPENSE. RESTORATIVE WORKS IS TO BE APPROVED BY CANTBERRA URBAN PARKS AND PLACES (CUPP) AND CARRIED OUT BY APPROVED OPERATORS.

- NOISE:**
- ENSURE ALL WORKS THAT GENERATES NOISE IS CONDUCTED WITHIN THE TIME PERIODS DETAILED IN SCHEDULE 2 OF THE ENVIRONMENT PROTECTION REGULATIONS 2005.
  - NOISE FROM GENERATORS AND OTHER PLANT WHICH MAY BE INSTALLED AT THE SITE, INCLUDING AIR CONDITIONING UNITS, MUST COMPLY WITH THE NOISE STANDARDS AS PER THE ENVIRONMENT PROTECTION REGULATIONS 2005.
  - WHERE EQUIPMENT IS REQUIRED TO BE OPERATED AFTER 10PM, THE NOISE AT THE CLOSEST BOUNDARY IS NOT TO EXCEED 35DB(A). ALL OTHER TIMES THE NOISE STANDARD IS 45DB(A).
  - SCHEDULE NOISY ACTIVITIES FOR THE LEAST SENSITIVE TIMES OF THE DAY SUCH AS MID-MORNING AND MID-AFTERNOON.
  - SELECT MACHINERY THAT PRODUCES LESS NOISE.
  - ENSURE MACHINERY IS WELL MAINTAINED.

- DUST MANAGEMENT:**
- WHERE WORKS GENERATES DUST, ALL REASONABLE AND PRACTICABLE MEASURES SHOULD BE TAKEN TO MINIMISE THAT DUST. THIS CAN OFTEN BE ACHIEVED THROUGH THE FOLLOWING MEASURES:
    - RETAIN VEGETATION COVER WHEREVER POSSIBLE;
    - STRIP AREAS PROGRESSIVELY AND ONLY WHERE IT IS NECESSARY FOR WORKS TO OCCUR;
    - EMPLOY STABILISING METHODS SUCH AS MATTING, GRASSING AND MULCH;
    - DAMPENING THE GROUND WITH A LIGHT WATER SPRAY (CONTACT THE EPA FOR REQUIREMENTS DURING EXTREME DROUGHT CONDITIONS);
    - ROUGHEN SURFACE OF EXPOSED SOIL;
    - COVER STOCKPILES AND LOCATE WHERE THEY ARE PROTECTED FROM THE WIND;
    - RESTRICTING VEHICLE MOVEMENTS;
    - COVERING LOADS WHEN TRANSPORTING MATERIALS;
    - CONSTRUCTING WIND BREAKS SUCH AS WIND FENCES IN ACCORDANCE WITH THE BLUEBOOK;
    - A WATER CART OR SUFFICIENT WATER SPRAYS SHALL BE MADE AVAILABLE AT ALL TIMES. IN ADVERSE CONDITIONS WHEN DUST CANNOT BE ADEQUATELY CONTROLLED WHEN WORKS ARE BEING UNDERTAKEN, WORKS WILL CEASE IN THESE AREAS UNTIL CONDITIONS IMPROVE;
    - WATER SHALL BE APPLIED TO SUPPRESS DUST FROM OPEN EARTHWORKS AS WELL AS UNPROTECTED STOCKPILES;
    - AREAS OF COMPLETED EARTHWORKS SHALL BE PROGRESSIVELY REHABILITATED WITH DRYLAND GRASS AND FENCED OFF AS SOON AS PRACTICABLE TO PREVENT FURTHER EROSION;
    - THE CONTRACTOR IS TO CONTACT THE WATER RESOURCE UNIT TO OBTAIN AN EXEMPTION TO USE NON-POTABLE WATER FROM ON OR OFF SITE IF REQUIRED.

- EARTHWORKS NOTES:**
- STRIP ALL GRASS COVER AND TOPSOIL TO EXPOSE UNDERLYING SOIL.
  - SITE SHOULD BE STOPPED AND REINSTATED PROGRESSIVELY AS REQUIRED. (MINIMISE EXPOSED SURFACE)
  - TOPSOIL TO BE STOCKPILED FOR FUTURE USE IN THE LANDSCAPING.

- FILL PLATFORMS:**
- FOR STRIPPED SLOPES STEEPER THAN 12.5% OVER WHICH FILL PLATFORMS ARE TO BE CONSTRUCTED, PROVIDE BENCHING OF NOT LESS THAN 300mm DEPTH;
  - FILL IS TO BE PLACED AND COMPACTED IN LEVELS OF 150mm MAXIMUM COMPACTED THICKNESS.
  - STRUCTURAL FILL PLATFORMS TO BE COMPACTED TO 95% STANDARD DRY DENSITY, NON STRUCTURAL FILL PLATFORMS TO BE COMPACTED TO 90% STANDARD DRY DENSITY;
  - FILL MATERIAL TO BE FREE OF ORGANICS, BUILDERS DEBRIS, SILTS AND OTHER DELETERIOUS MATERIAL;
  - FILL MATERIAL TO BE UNIFORM MOISTURE CONDITION PRIOR TO PLACEMENT AND COMPACTION;
  - MAX ROCK FRAGMENT SIZE TO BE 100mm DIAMETER WITHIN FILL MATERIAL.
  - PLATFORMS ARE TO BE CONSTRUCTED CONTINUOUSLY UNTIL COMPLETE. PART PLATFORM CONSTRUCTION IS NOT ACCEPTABLE.
  - FILL PLATFORMS TO BE CONSTRUCTED WITH 1(V):1(H) HORIZONTAL BATTER UNLESS NOTED OTHERWISE.
  - TERRACED CUT AND FILL LEVELS ARE TO BE CONSTRUCTED FROM UPPER LEVEL TO LOWER LEVEL WITH OVER FILLING AND CUTTING BACK AS NECESSARY.
  - ALL FILL SURFACES TO BE SHAPED TO PROVIDE DRAINAGE AND PREVENT PONDING OF SURFACE WATER.

- CUT PLATFORMS:**
- CUT FACES LESS THAN 1.5m IN HEIGHT ARE TO BE VERTICAL.
  - CUT FACES GREATER THAN 1.5m IN HEIGHT ARE TO HAVE A PORTION ABOVE 1.5m BATTERED BACK AT 1(V):2(H).
  - CUT PLATFORMS ARE TO BE PROOF ROLLED AND SHAPED TO PROVIDE DRAINAGE AND PREVENT PONDING OF SURFACE WATER. DIRECT SURFACE WATER TO PUMP OUT PIT.
  - CUT FACES ARE TO BE INSPECTED BY A GEOTECHNICAL ENGINEER FOR SUITABILITY.

- TESTING:**
- TESTING TO BE CARRIED OUT IN ACCORDANCE WITH AS3798 BY NATA REGISTERED LABORATORY.
  - TESTING TO BE UNDERTAKEN PROGRESSIVELY THROUGHOUT EARTHWORKS.
  - TESTING IS TO BE DISTRIBUTED UNIFORMLY THROUGHOUT DEVELOPMENT. ALLOW 1 TEST PER 50m<sup>3</sup> OF FILL.
  - ANY PLATFORMS NOT ACHIEVING MINIMUM TEST RESULTS ARE TO BE STRIPPED BACK, RE-COMPACTED AND RETESTED UNTIL REQUIRED COMPACTION LEVELS ARE ACHIEVED.

- SEDIMENT AND EROSION CONTROL NOTES:**
- SEDIMENT AND EROSION CONTROL DEVICES TO BE INSTALLED AND FULLY OPERATIONAL PRIOR TO STRIPPING OF THE SITE TOP SOIL.
  - STOCK PILE(S) TO BE LOCATED AWAY FROM DRAINAGE LINES AND SURFACE FLOW PATHS. CONTOURED STRIATIONS OR FURROWS TO BE PROVIDED TO STOCKPILES TO MINIMISE EROSION.
  - STABILISED CONSTRUCTION ENTRANCE TO BE CONSTRUCTED PRIOR TO ACCESS TO SITE BY CONSTRUCTION VEHICLES. AGGREGATE TO BE TURNED WHEN SEDIMENT BUILDS UP AND RENEWED WHEN REQUIRED.
  - ESTABLISH A MAINTENANCE PROGRAM FOR SEDIMENT AND EROSION CONTROL DEVICES TO ENSURE INSPECTION AFTER SIGNIFICANT RAINFALL AND THAT ANY REPAIRS ARE QUICKLY ATTENDED TO.
  - ALL NEW CONSTRUCTION WORKS MUST BE CONTAINED WITHIN THE SITE EXCEPT FOR APPROVED SERVICE CONNECTIONS AND DRIVEWAYS.
  - LIMIT ACCESS TO SITE DURING AND IMMEDIATELY AFTER WET WEATHER.
  - REMOVE ANY SOIL FROM ROADS ADJACENT TO THE SITE AT THE END OF EACH DAY.
  - NO STORAGE OF CONSTRUCTION MATERIALS, PARKING OF VEHICLES OR EQUIPMENT PERMITTED OUTSIDE THE BLOCK WITHOUT PRIOR TAMS APPROVAL.
  - NO SITE SHEDS, STORAGE SHEDS, SITE AMENITIES TO BE ERRECTED OUTSIDE OF THE BLOCK WITHOUT TAMS PRIOR APPROVAL.
  - PROVIDE KERBSIDE FILTER ROLLS TO EXISTING SUMPS WHERE INDICATED AS PER GIVEN DETAIL.
  - KERBSIDE FILTER ROLLS TO BE REMOVED, CLEANED AND REINSTATED ON A WEEKLY BASIS AT A MINIMUM. TRAPPED SEDIMENT ABOUT SUMPS ALSO TO BE REMOVED. CLEANING IS ALSO TO TAKE PLACE AFTER PERIODS OF RAINFALL DURING CONSTRUCTION.
  - ALL SERVICE TRENCHES TO BE BACK FILLED WITHIN 24 HOURS OF INSPECTION.
  - EXCESS SOIL IS TO BE DISPOSED OF AT AN EPA APPROVED LOCATION.
  - THE CONTRACTOR IS TO CONTACT THE EPA (132281) TO ARRANGE A SITE INSPECTION AND ENDORSEMENT OF SEDIMENT AND EROSION CONTROL MEASURES PRIOR TO WORKS COMMENCING.
  - THE CONTRACTOR IS TO CONTACT THE EPA TO DISCUSS ANY PROPOSED MAJOR CHANGES TO SEDIMENT AND EROSIONS CONTROLS ON-SITE PRIOR TO IMPLEMENTING THE CHANGES.
  - THE CONTRACTOR WILL ENSURE CONTRACTORS ACCESS AND EXIT THE SITE USING ONLY EPA APPROVED STABILISED ACCESS/EXIT POINTS AS DETAILED ON ENDORSED SEDIMENT AND EROSION CONTROL PLANS.

- CONSTRUCTION VEHICLE ACCESS:**
- CONSTRUCTION VEHICLES TO ACCESS SITE VIA THE SITE GATES SHOWN ONLY.

- DISPOSAL OF SPOIL:**
- BEFORE DISPOSAL OF SPOIL OFF-SITE, THE FOLLOWING INFORMATION MUST BE PROVIDED TO THE EPA:
    - WHERE THE SPOIL WILL ORIGINATE FROM;
    - WHO IS DISPOSING OF THE SPOIL;
    - WHERE THE SPOIL WILL BE TAKEN;
    - THE AMOUNT OF SPOIL TO BE TAKEN AWAY;
    - DESCRIPTION OF THE TYPE OF SPOIL TO BE TAKEN AWAY;
    - DETAILS OF HOW RECORDS WILL BE KEPT; AND
    - TIME FRAME TO COMPLETE THE WORKS TO THE SATISFACTION OF THE EPA.
  - SPOIL MAY BE TAKEN TO AN APPROVED LANDFILL SITE WITHOUT PRIOR APPROVAL. HOWEVER IF THE SPOIL IS TAKEN TO AN AREA OTHER THAN AN APPROVED LANDFILL SITE, ENSURE THAT THE ACCEPTOR OF THE SPOIL IS AWARE OF THE REQUIREMENTS SETOUT IN SECTION 8.2 OF THE ENVIRONMENT PROTECTION GUIDELINES FOR CONSTRUCTION AND LAND DEVELOPMENT IN THE ACT.

- SEDIMENT CONTROL POND:**
- INSTALL SEDIMENT AND EROSION CONTROL POND TO MEET THE 150m<sup>3</sup>/ha OF DISTURBED DEVELOPMENT SITE AS REQUIRED BY THE EPA. SIZING WILL DEPEND ON ANY STAGING AND TOTAL DISTURBED AREA.
  - SEDIMENT AND EROSION CONTROL POND TO BE INSTALLED AS PER THE ENVIRONMENT PROTECTION GUIDELINES FOR CONSTRUCTION AND LAND DEVELOPMENT IN THE ACT - OCTOBER 2011.
  - SEDIMENT TO BE CLEARED FROM THE POND WHEN IT REACHES THE 10% MARKER.
  - WATER SHOULD BE MAINTAINED AT THE 20% MARKER.

- MAINTENANCE SCHEDULE:**
- WEEKLY:**
- TURN OVER STABILISED CONSTRUCTION ENTRY MATERIAL AND RENEW WHEN REQUIRED. CHECK AND REINSTATE SEDIMENT CONTROL FENCES
- DAILY:**
- SWEEP AND REMOVE DIRT AND ANY OTHER BUILDING MATERIAL FROM GUTTERS, FOOTPATHS OR ROADWAYS ADJACENT TO THE SITE BY CLOSE OF BUSINESS AND PRIOR TO RAIN AND WHEN REQUIRED. ALL NECESSARY STEPS SHOULD BE TAKEN THAT ARE PRACTICAL AND REASONABLE TO MINIMISE DUST AND NOISE POLLUTION.

**LEGEND**

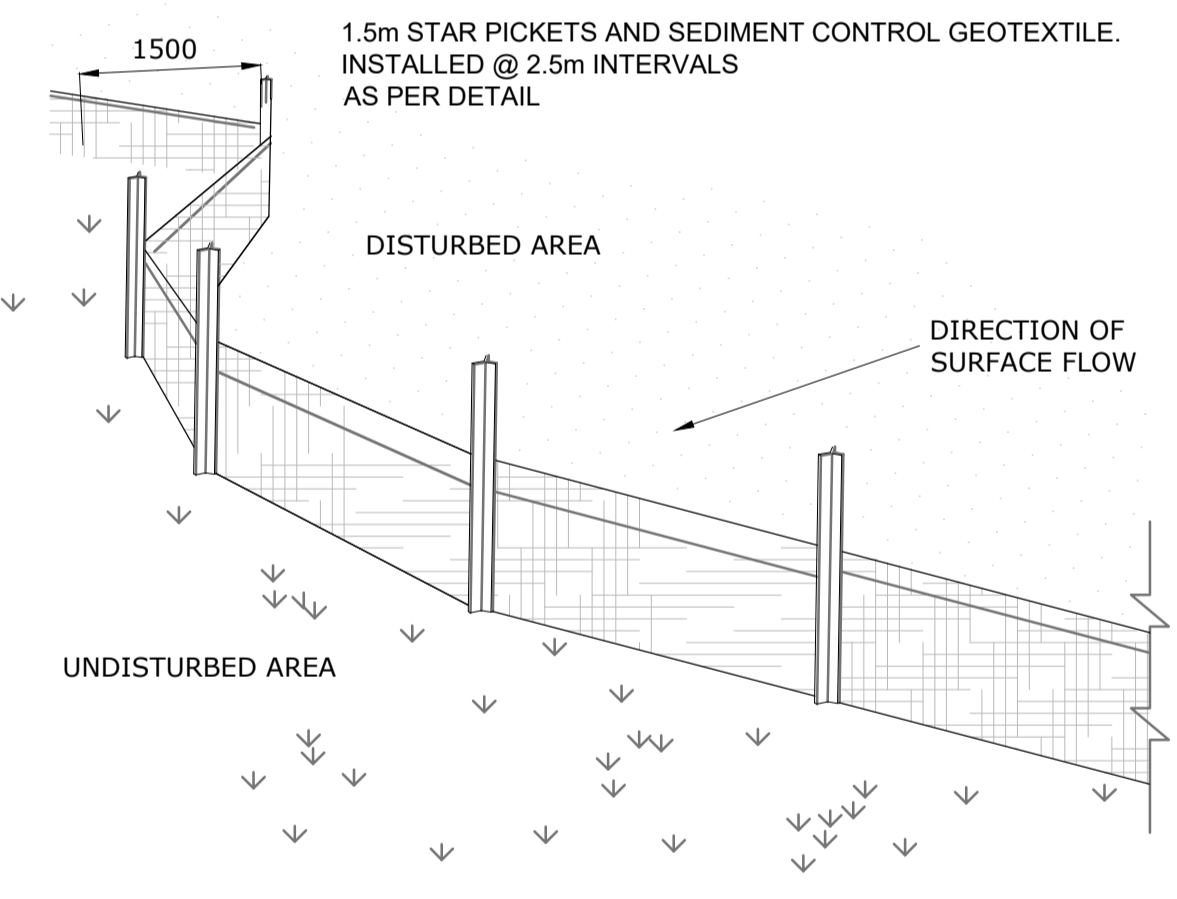
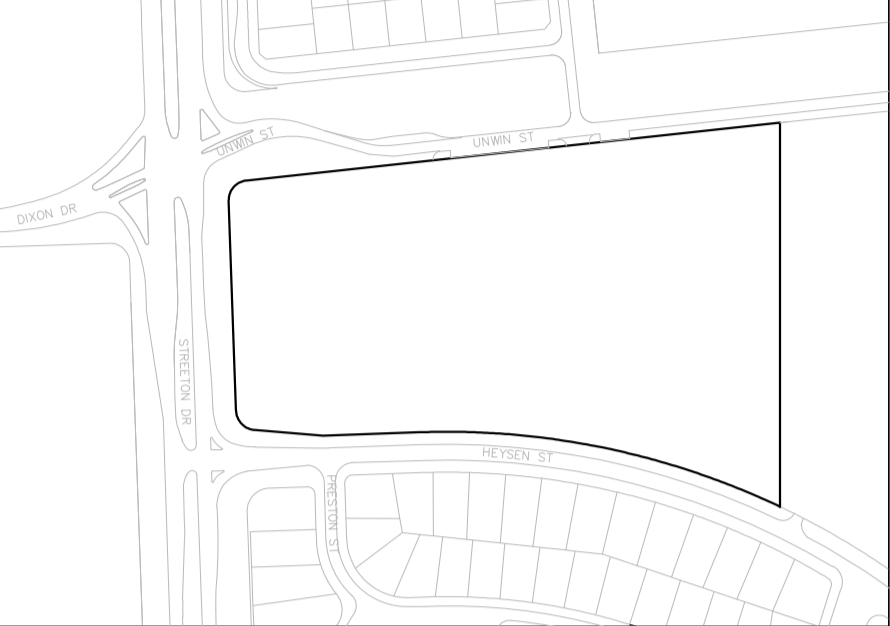
| SERVICE                | EXISTING      | PROPOSED      |
|------------------------|---------------|---------------|
| WATER MAIN             | —eW—          |               |
| SEWER MAIN             | —eS—          |               |
| STORMWATER MAIN        | —eSW—         |               |
| GAS MAIN               | —eG—          |               |
| ELECTRICITY            | —eE—          |               |
| BLOCK BOUNDARY         | ---           |               |
| ABANDONED SERVICE      | -x-x- eW-x-x- | -x-x- xW-x-x- |
| SITE FENCE             |               | —x-x-xW-x-x—  |
| SITE GATE              |               |               |
| TREE TO BE REMOVED     |               |               |
| EXISTING OVERLAND FLOW |               |               |
| SEDIMENT CONTROL FENCE |               |               |
| KERB INLET PROTECTION  |               |               |

DISCIPLINE: **CIVIL SERVICES**

| REV | ISSUE       | CHK'D | APP'D | DATE     |
|-----|-------------|-------|-------|----------|
| 1   | PRELIMINARY | S.G.  | S.G.  | 29/11/21 |
| 2   | PRELIMINARY | S.G.  | S.G.  | 18/08/22 |

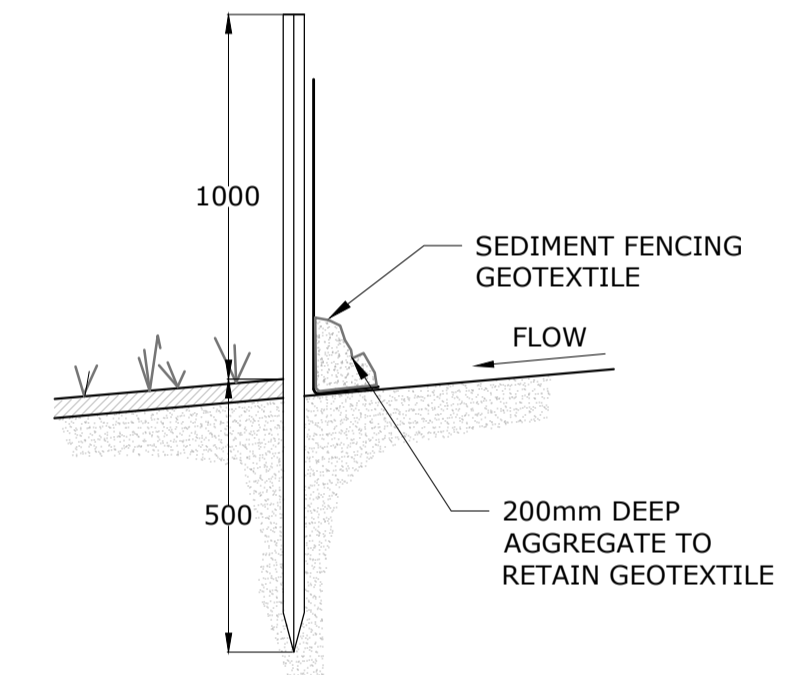
ALL DRAWINGS ARE DESIGNED TO BE PRINTED AND READ IN COLOUR

IT IS THE CONTRACTORS' RESPONSIBILITY TO PRINT DRAWINGS IN COLOUR TO AVOID ANY POTENTIAL DISCREPANCIES IF DRAWINGS ARE PRINTED IN BLACK AND WHITE.

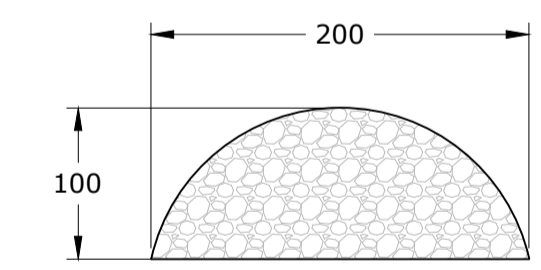


**SEDIMENT CONTROL FENCE - DIAGRAMATIC SETOUT**  
NTS

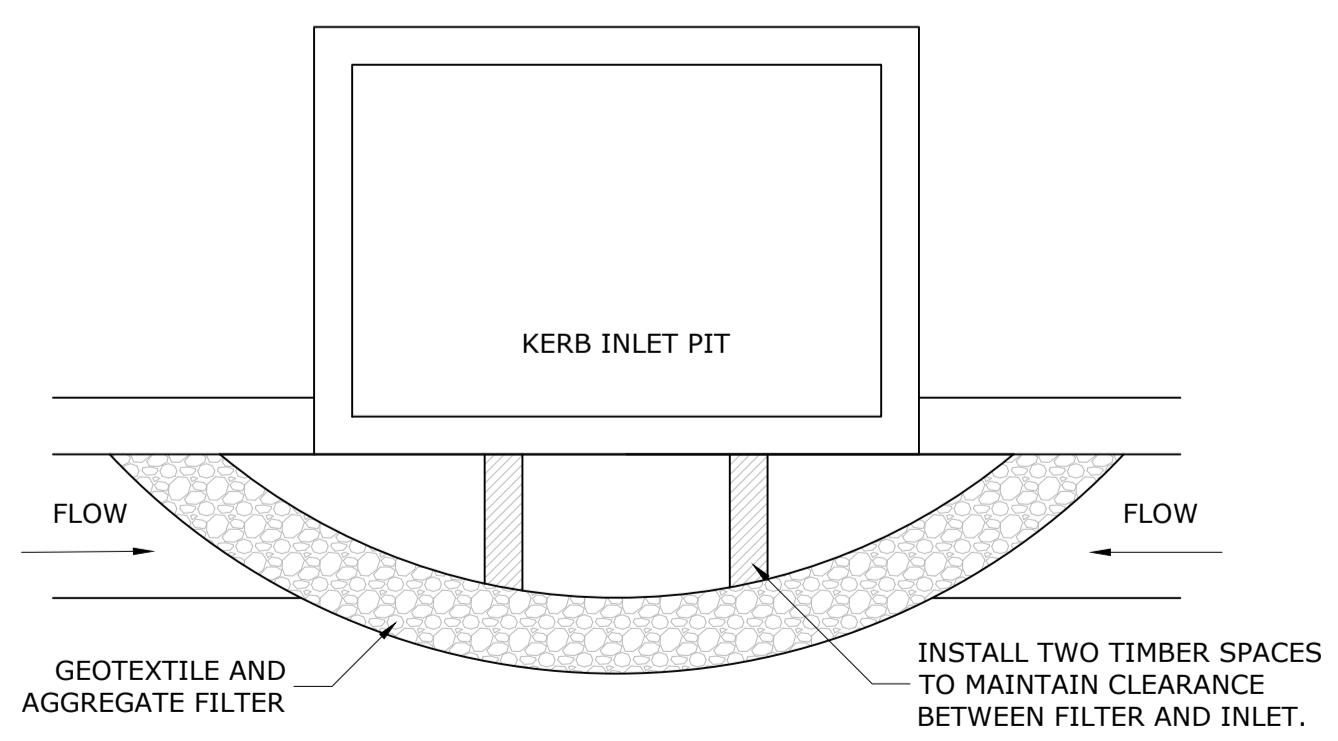
- ALIGN SEDIMENT CONTROL FENCE PARALLEL WITH THE SITE CONTOURS.
- 1.5m RETURN TO BE INCLUDED EVERY 20m
- GEOTEXTILE TO BE ENTRENCHED 200mm OR ALTERNATIVELY FIXED TO THE GROUND WITH AGGREGATE
- USE GEOTEXTILE SPECIFICALLY DESIGNED FOR SEDIMENT CONTROL.
- FIX GEOTEXTILE TO THE UPSTREAM SIDE OF STAR PICKETS AS PER MANUFACTURERS RECOMMENDATION OR WIRE IN LIEU OF THE PRIORITY.
- PIN THE GEOTEXTILE TO THE GROUND EVERY 500mm
- OVERLAPS TO BE 150mm AT JOINS OF GEOTEXTILE



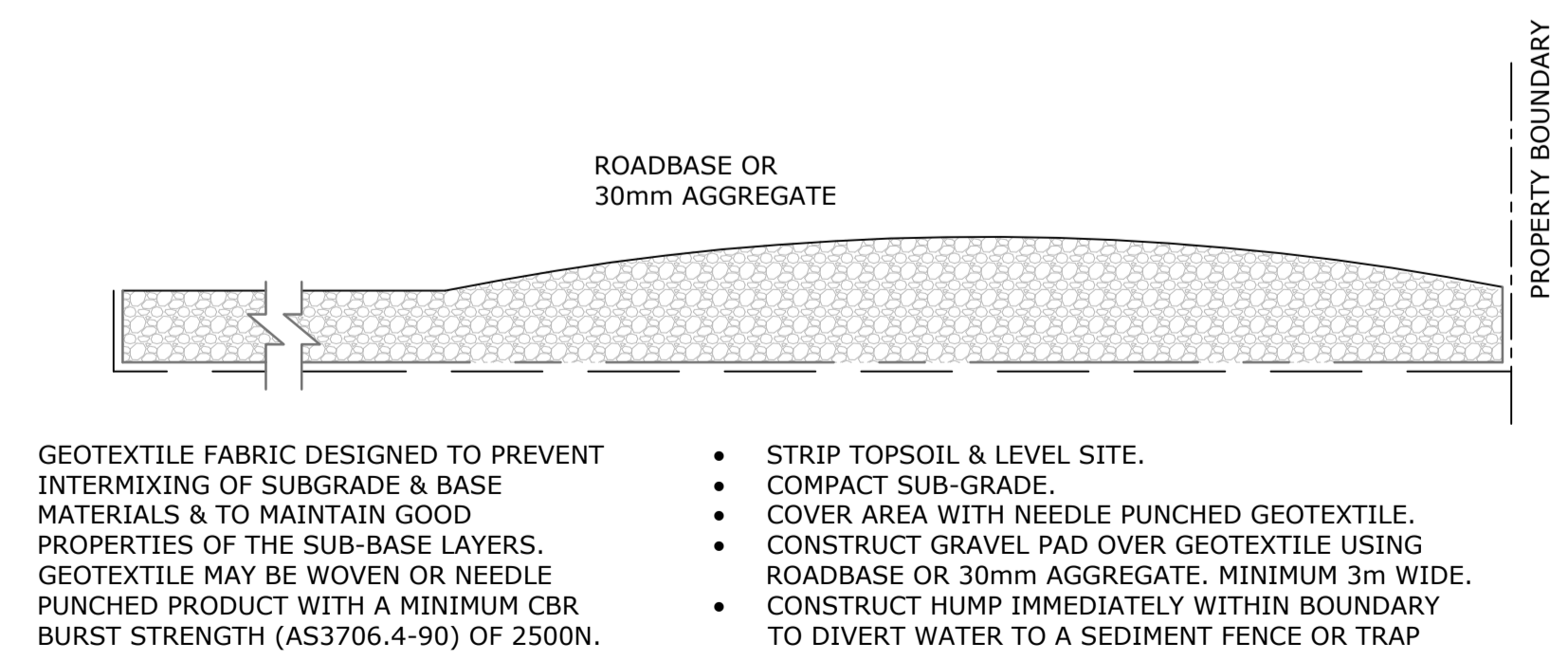
**SEDIMENT CONTROL FENCE - INSTALLATION DETAIL - WITHOUT TRENCH**  
NTS



**KERB INLET PROTECTION DETAIL SECTION - FILTER SHAPE**  
NTS



**KERB INLET PROTECTION DETAIL - PLAN TYPICAL LAYOUT**  
NTS



**STABILISED SITE ACCESS DETAIL - LONG SECTION**  
NTS

- STRIP TOPSOIL & LEVEL SITE.
  - COMPACT SUB-GRADE.
  - COVER AREA WITH NEEDLE PUNCHED GEOTEXTILE.
  - CONSTRUCT GRAVEL PAD OVER GEOTEXTILE USING ROADBASE OR 30mm AGGREGATE. MINIMUM 3m WIDE.
  - CONSTRUCT HUMPS IMMEDIATELY WITHIN BOUNDARY TO DIVERT WATER TO A SEDIMENT FENCE OR TRAP
- GEOTEXTILE FABRIC DESIGNED TO PREVENT INTERMIXING OF SUBGRADE & BASE MATERIALS & TO MAINTAIN GOOD PROPERTIES OF THE SUB-BASE LAYERS. GEOTEXTILE MAY BE WOVEN OR NEEDLE PUNCHED PRODUCT WITH A MINIMUM CBR BURST STRENGTH (AS3706.4-90) OF 2500N.

**Vital Design Solutions**  
HYDRAULIC CIVIL FIRE

Canberra - Ground floor, 20 Spongolite Street, Beard ACT 2620  
 Melbourne - Level 22, 535 Bourke Street, Melbourne Vic 3000  
 Tel: 02 6297 2785 Email: admin@vdsol.com.au ABN: 45 151 340 788  
 Fax: 02 6299 2316 Web: vdsol.com.au ACN: 151 340 788

ARCHITECT

CLIENT

PROJECT  
**WESTON VILLAGE  
 BLOCK 1 SECTION 82  
 UNWIN STREET  
 WESTON ACT**

DRAWING TITLE  
**SEDIMENT AND EROSION CONTROL  
 NOTES AND DETAILS PLAN**

ALL DIMENSIONS ARE TO BE VERIFIED ON SITE PRIOR TO COMMENCEMENT OF WORKS, ORDERING MATERIAL OR PRODUCING SHOP DRAWINGS.

THE COPYRIGHT OF THIS DRAWING REMAINS WITH VITAL DESIGN SOLUTIONS PTY LTD.

JOB REFERENCE: **VS21063**

DRAWING NUMBER: **C.110**

DESIGNED: S.GWYNNE DRAFTED: E.PEARSON

SCALE: **NTS**

SCALE: NTS SIZE: A1

ISSUE: **NOT FOR CONSTRUCTION**

REVISION: **2**