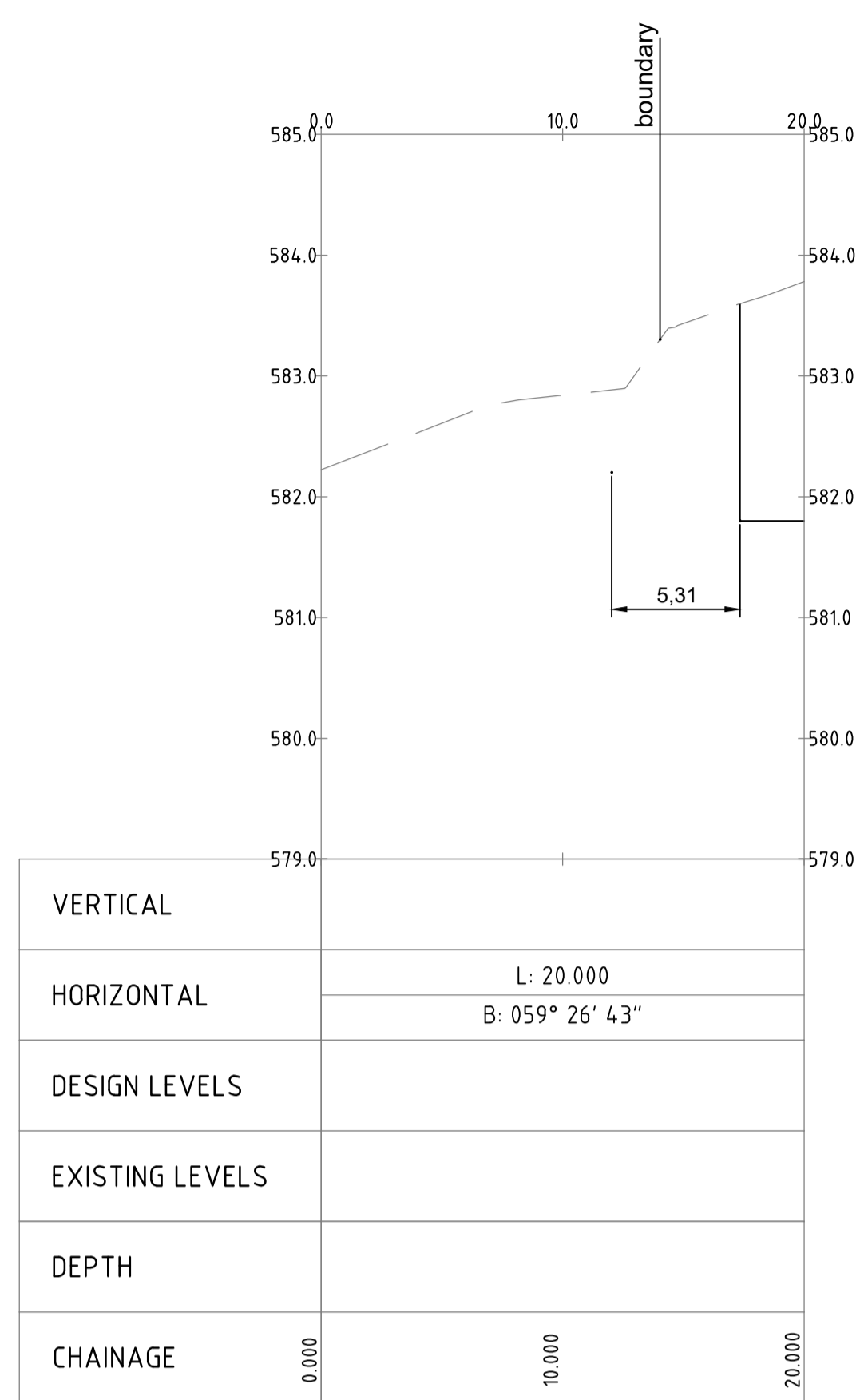
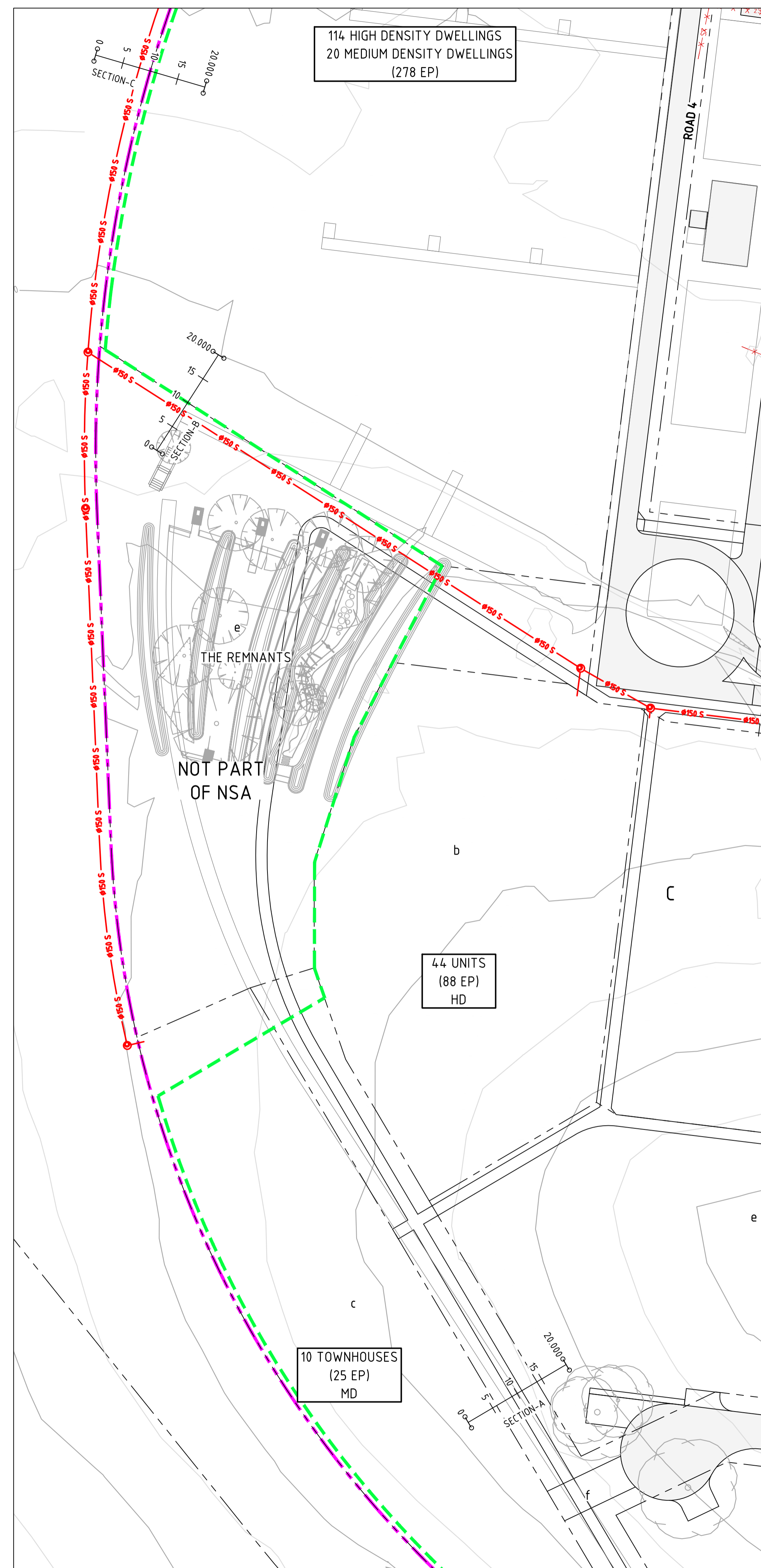
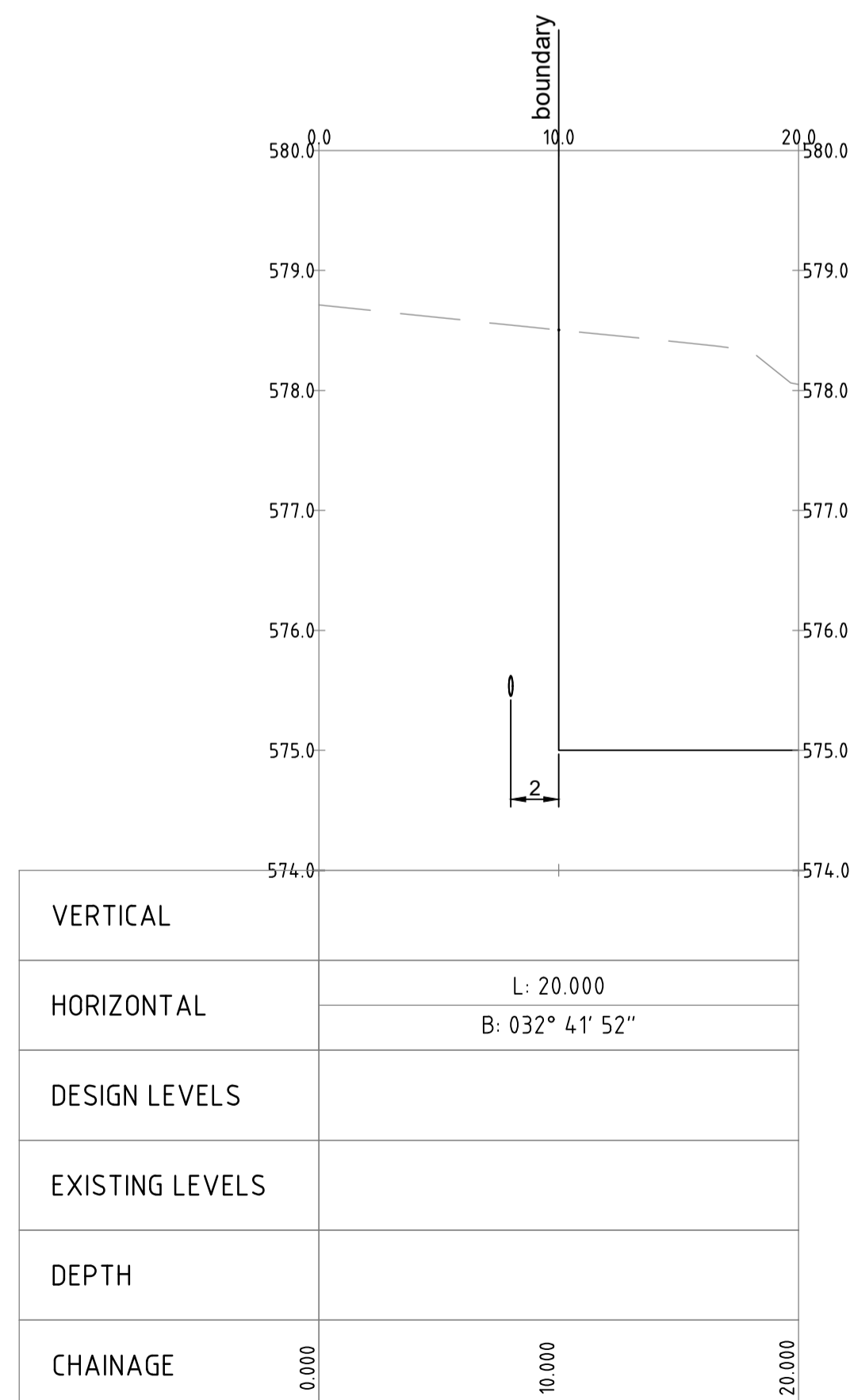


File Name: P:\2019\191148_Yarralumla-Brickworks\04_CAD\4_2_Drawings\CIV\EDP\191148-drg-civ-11-07.dwg



PROFILE OF ALIGNMENT SECTION-A
(VERT SCALE 1:50, HOR SCALE 1:250, VERT EXAG 1:5)
FROM: CH 0.000 TO CH 20.000



PROFILE OF ALIGNMENT SECTION-B
(VERT SCALE 1:50, HOR SCALE 1:250, VERT EXAG 1:5)
FROM: CH 0.000 TO CH 20.000



PROFILE OF ALIGNMENT SECTION-C
(VERT SCALE 1:50, HOR SCALE 1:250, VERT EXAG 1:5)
FROM: CH 0.000 TO CH 20.000

NOTE:
- ALL SEWER AND WATER MAINS TO BE CONTAINED WITHIN 2.5m WIDE EASEMENTS. EASEMENTS NOT SHOWN FOR CLARITY. REFER TO DRG-CIV-04 FOR EASEMENT LOCATIONS
- ALL SEWER DN150

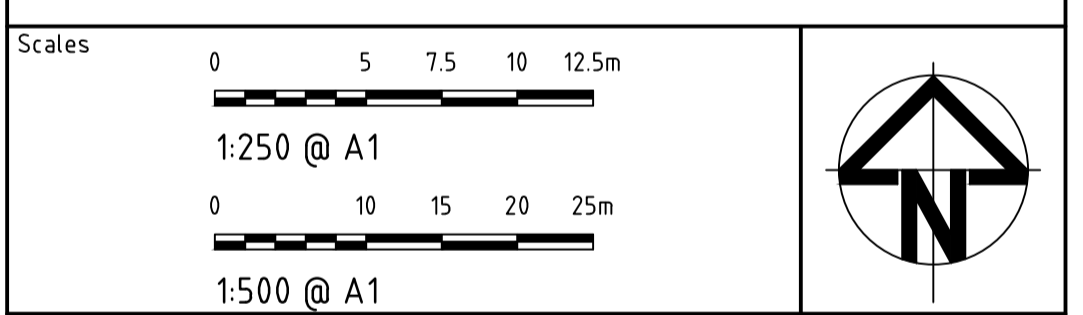
Status **NOT FOR CONSTRUCTION**

DO NOT SCALE OFF DRAWINGS. VERIFY ALL DIMENSIONS ON SITE PRIOR TO WORK.
COPYRIGHT: The contents and information contained in this document are copyright of Sellick Consultants. Use or copy of this document in whole or part without written permission constitutes an infringement of copyright.

Rev	Description	Date	Drawn By
B	EDP SUBMISSION	31.07.2023	MN
A	EDP SUBMISSION	10.07.2023	MN

LEGEND

- LEASE BOUNDARY
- - - PROPOSED BLOCK BOUNDARY
- ⊙ EXISTING TREE TO RETAINED
- - - 580.0 PROPOSED CONTOUR
- - - 580.0 EXISTING CONTOUR
- (A) CATCHMENT NODE
- - - SEWER CATCHMENT AREA 1 (TO GOLF COURSE)
- - - SEWER CATCHMENT AREA 2 (TO BENTHAM STREET)
- ⊙ #150 S SEWER MANHOLE, PIPE END CAP
- #150 S NEW SEWER MAIN
- - - #150 S EXISTING SEWER MAIN
- x - x - x SEWER MAIN TO BE DISCONNECTED



Original Size	A1	Drawn By	DA	Drafting Check	DCA
Date Plotted	31-Jul-23	Designed By	AE	Design Check	BC
Coordinate System	STROMLO GRID	Approved	BC	Approved Date	16/12/2019
Height Datum	AHD	Approved Signature			

Project Name and Location
THE CANBERRA BRICKWORKS
BLOCKS 1,7 & 20 SECTION 102

Drawing Title
EDP - SEWER LONGITUDINAL SECTIONS

Project Number	Type	Discipline	Drg No.	Sub-No.	Rev
191148	DRG	CIV	11	07	B