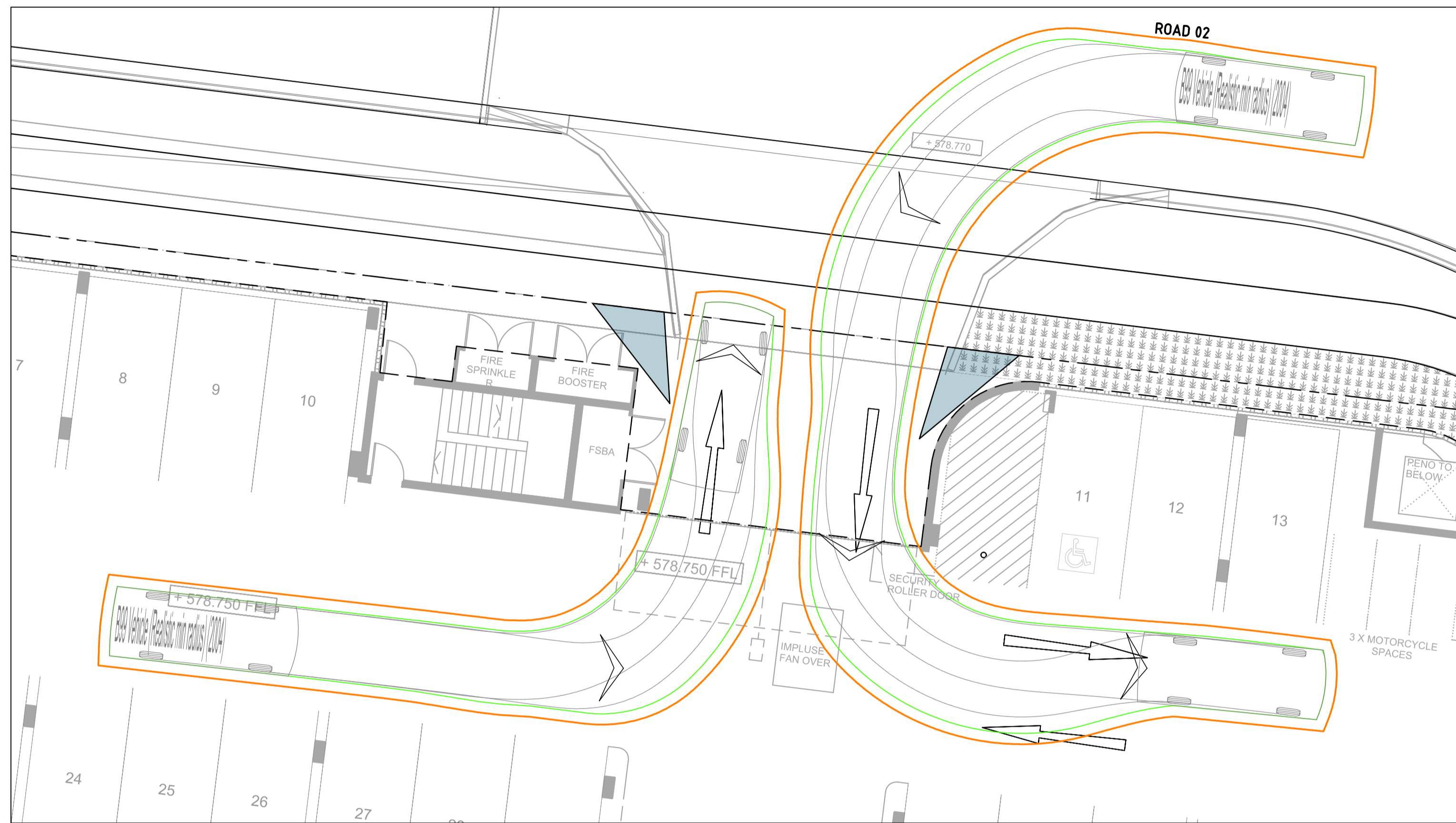
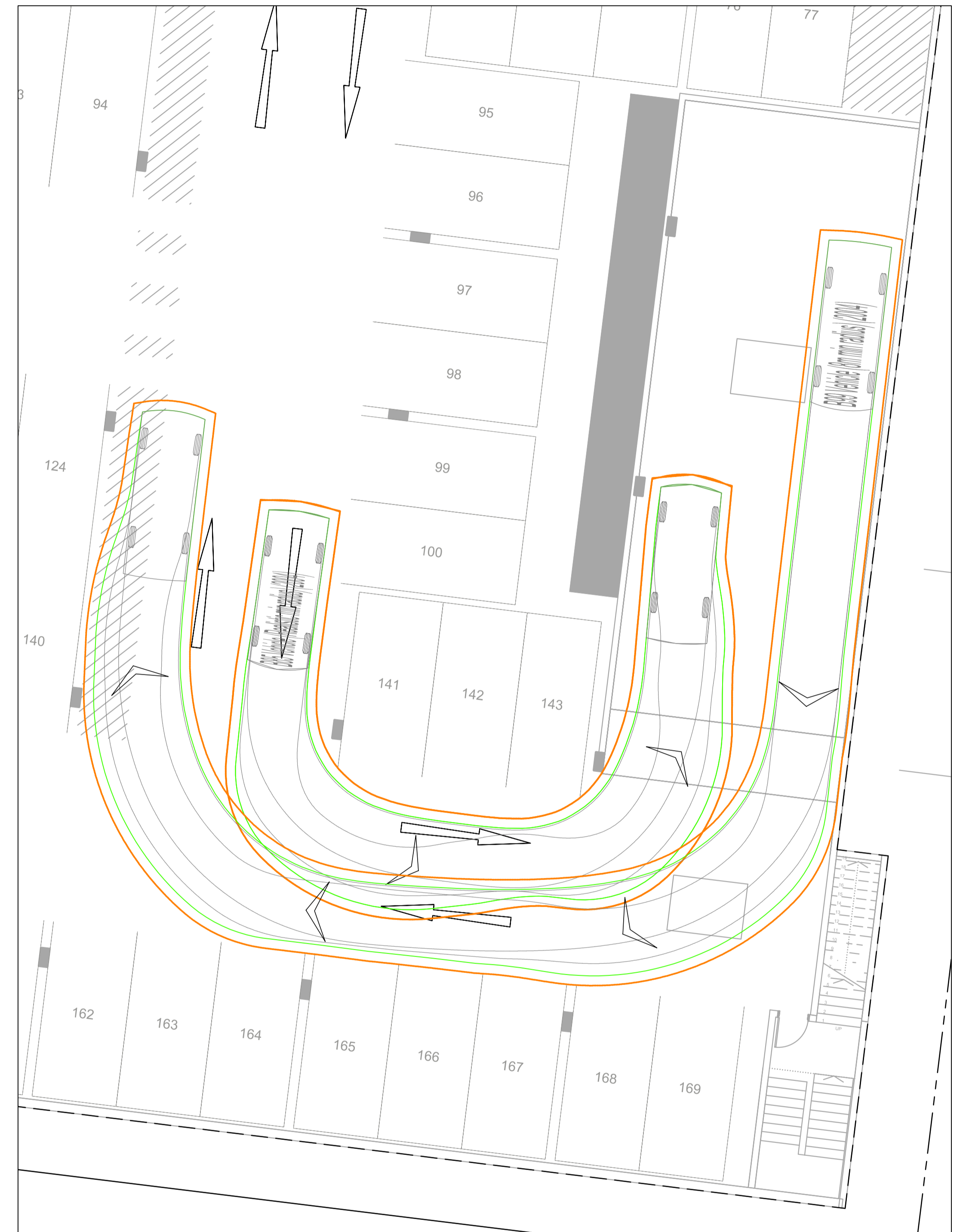


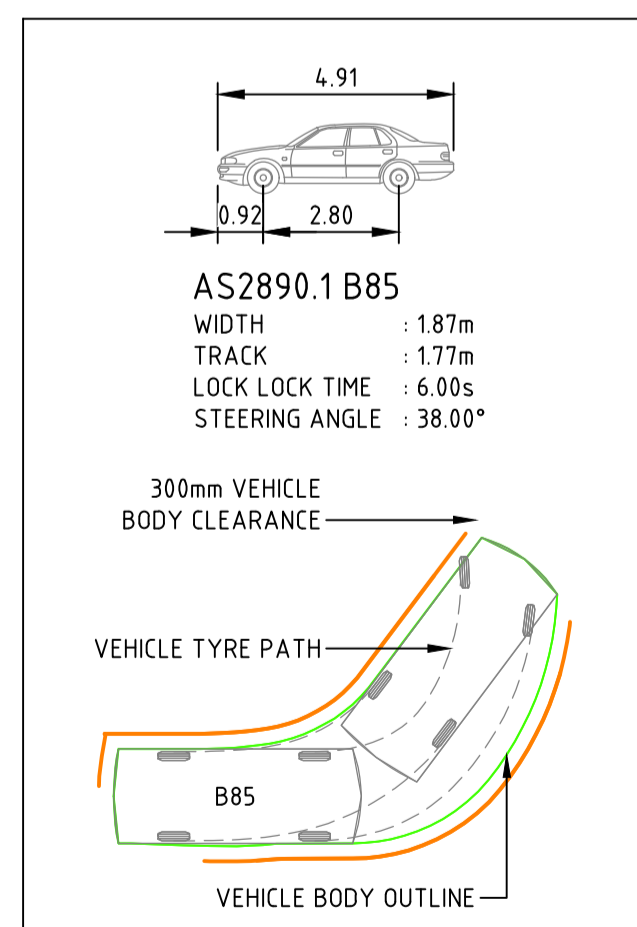
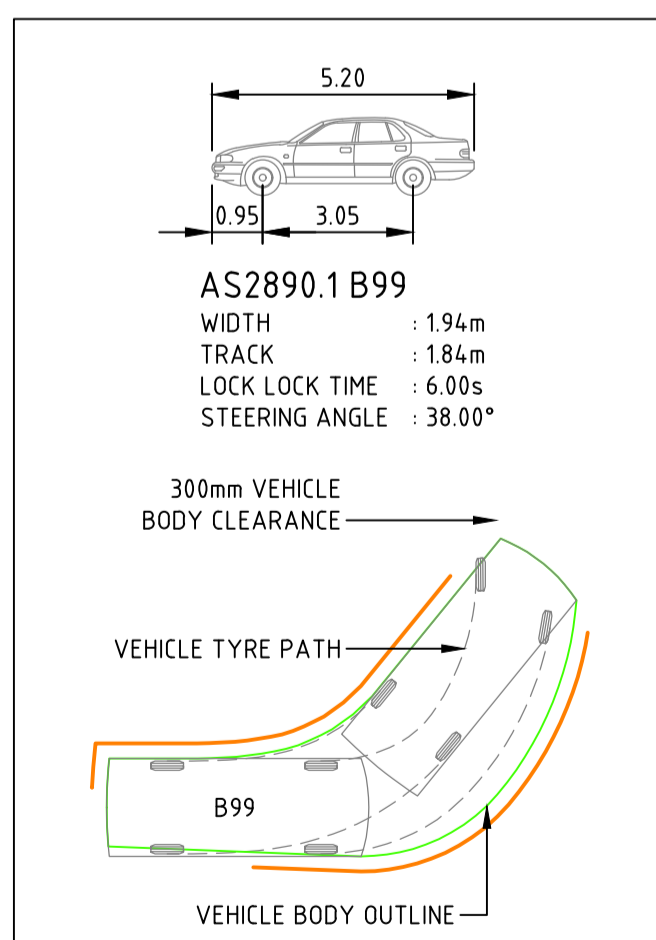
File Name: P:\2020\201001_Yarralumla-Brickworks-Site-F04_CAD\4_2_Drawings\CIV\201001-drg-civ-tp-2202.dwg



B99 ENTRY/EXIT TO GROUND LEVEL
SCALE 1:100



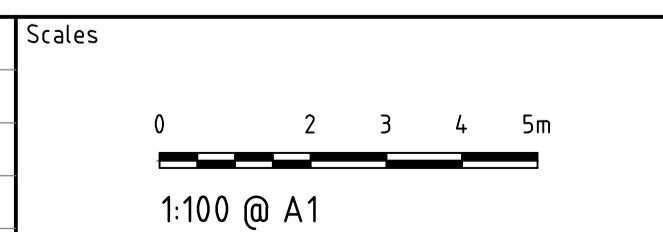
B99/B85 ENTRY/EXIT TO BASEMENT
SCALE 1:100



AS2890.1 B99
WIDTH : 1.94m
TRACK : 1.84m
LOCK LOCK TIME : 6.00s
STEERING ANGLE : 38.00°

AS2890.1 B85
WIDTH : 1.87m
TRACK : 1.77m
LOCK LOCK TIME : 6.00s
STEERING ANGLE : 38.00°

Rev	Description	Date	Drawn By
A	FOR DEVELOPMENT APPROVAL	08.11.2023	DM



DO NOT SCALE OFF DRAWINGS. VERIFY ALL DIMENSIONS ON SITE PRIOR TO WORK.
COPYRIGHT: The contents and information contained in this document are copyright of Sellick Consultants, Use or copy of this document in whole or part without written permission constitutes an infringement of copyright.



Status			
NOT FOR CONSTRUCTION			
Original Size	A1	Drawn By	Drafting Check
Date Plotted	8-Nov-23	Designed By	Design Check
Coordinate System	STROMLO GRID	Approved	Approved Date
Height Datum	AHD	Approved Signature	

Project Name and Location						
YARRALUMLA BRICKWORKS-PRECINCT 3						
BLOCK a SECTION C YARRALUMLA ,ACT						
Drawing Title						
VEHICLE TURNING PATHS PLAN						
SHEET 2						
Project Number	Type	Discipline	Sub-Discipline	Drg No.	Rev	
201001	DRG	CIV	TP	2202	A	