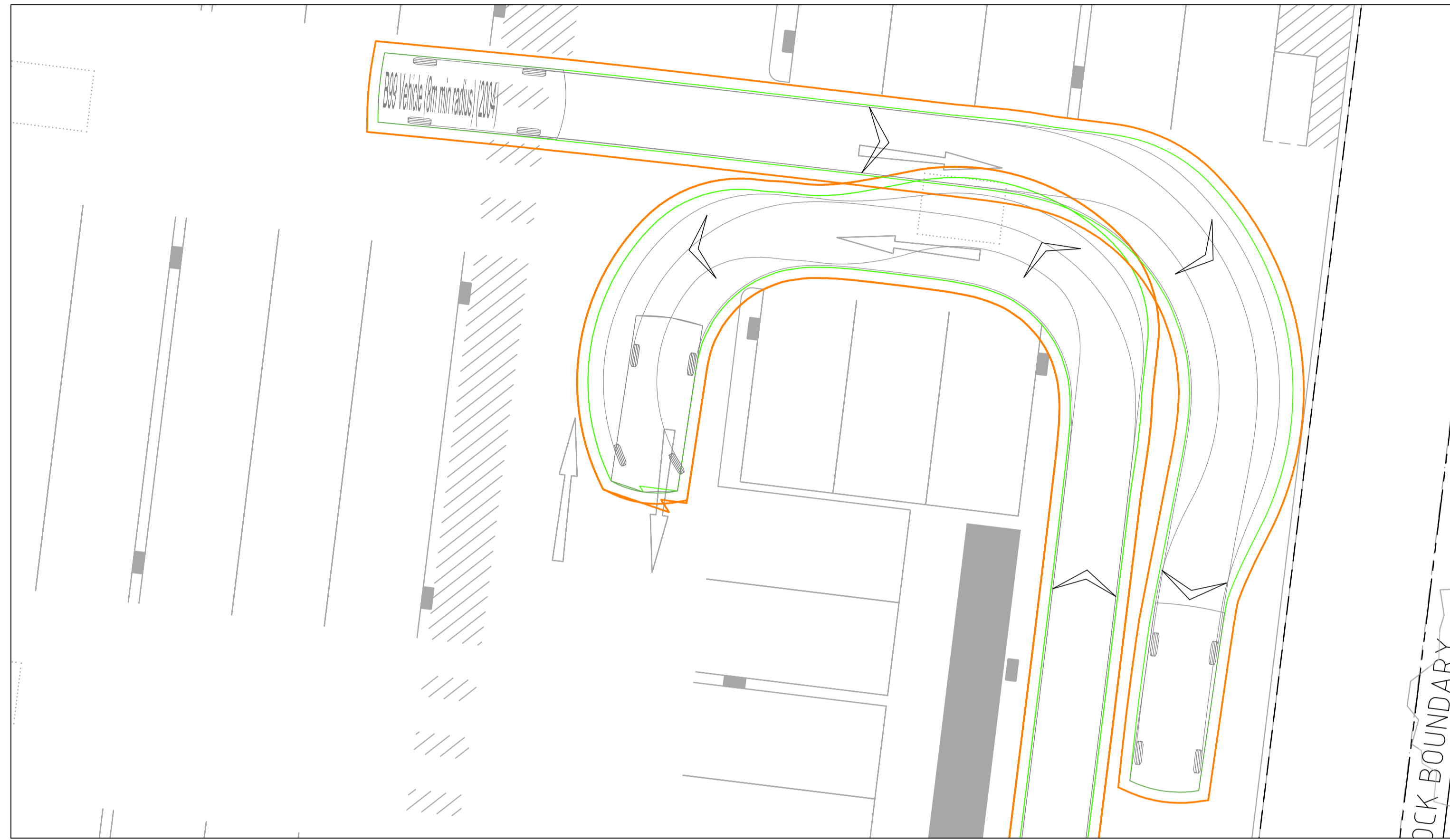
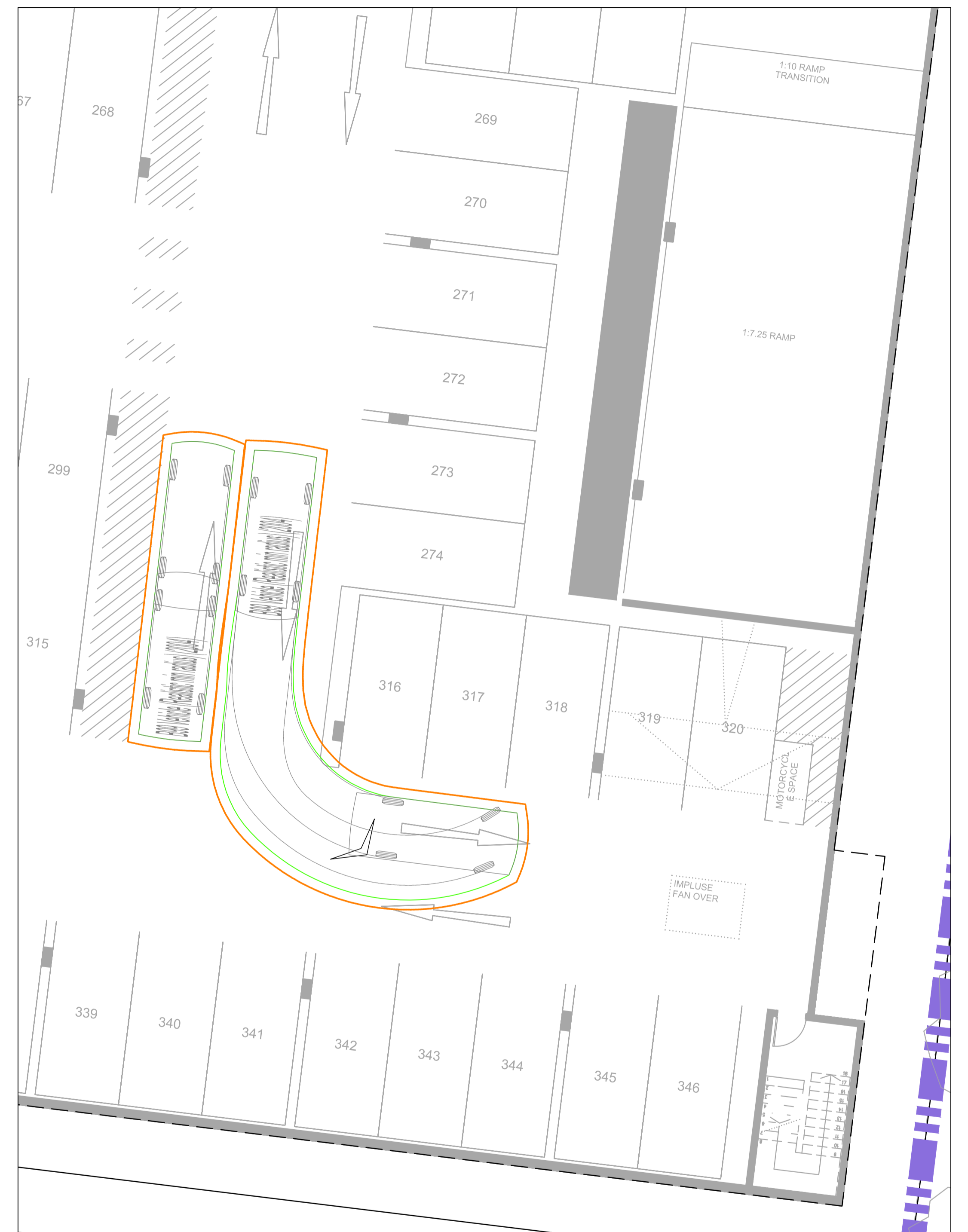


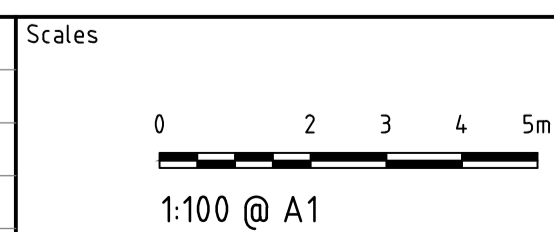
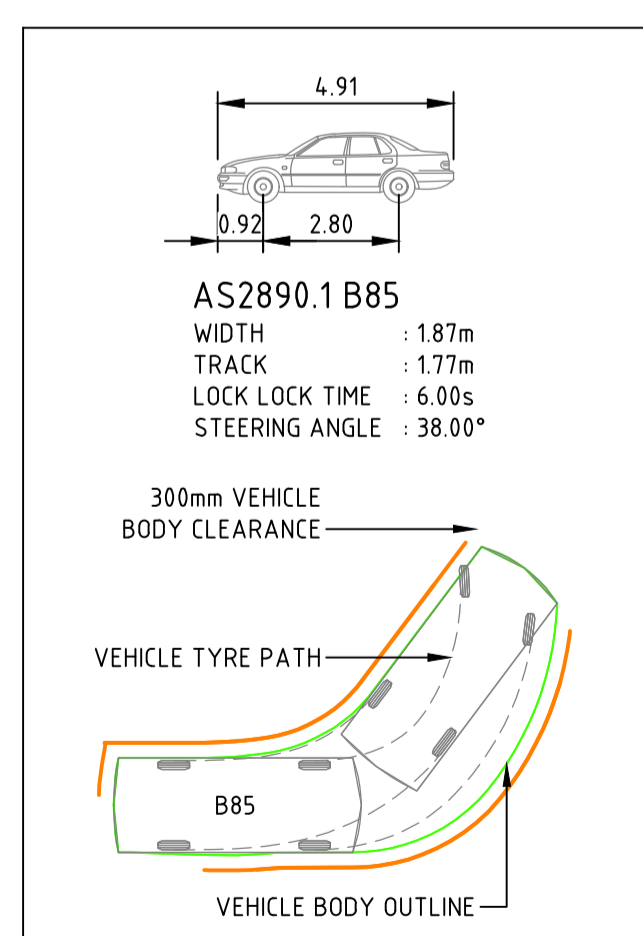
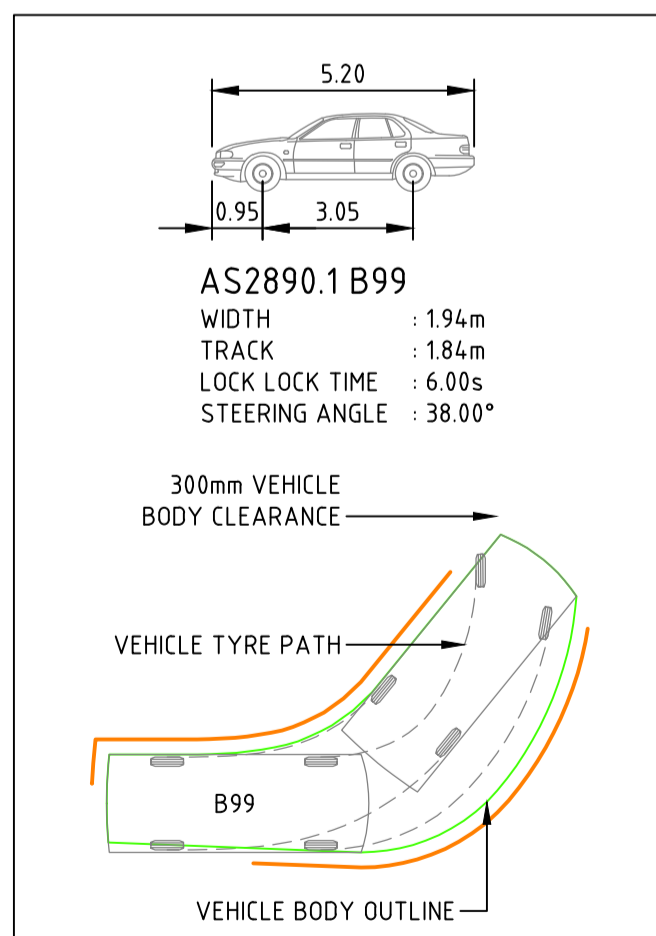
File Name: P:\2020\201001\_Yarralumla-Brickworks-Site-F04\_CAD\4\_2\_Drawings\CIV\201001-drg-civ-tp-2203.dwg



**B99/B85 GROUND - B1 RAMP**  
SCALE 1:100



**B99 TURNING BASEMENT 1**  
SCALE 1:100



DO NOT SCALE OFF DRAWINGS. VERIFY ALL DIMENSIONS ON SITE PRIOR TO WORK.  
COPYRIGHT: The contents and information contained in this document are copyright of Sellick Consultants, Use or copy of this document in whole or part without written permission constitutes an infringement of copyright.



Status			
<b>NOT FOR CONSTRUCTION</b>			
Original Size	A1	Drawn By	MN
Date Plotted	8-Nov-23	Designed By	AE
Coordinate System	STROMLO GRID	Approved	AE
Height Datum	AHD	Approved Signature	
Drafting Check	DA	Design Check	
Approved Date			

Project Name and Location						
YARRALUMLA BRICKWORKS-PRECINCT 3						
BLOCK a SECTION C YARRALUMLA ,ACT						
Drawing Title						
VEHICLE TURNING PATHS PLAN						
SHEET 3						
Project Number	Type	Discipline	Sub-Discipline	Drg No.	Rev	
201001	DRG	CIV	TP	2203	A	

A	FOR DEVELOPMENT APPROVAL	08.11.2023	DM
Rev	Description	Date	Drawn By