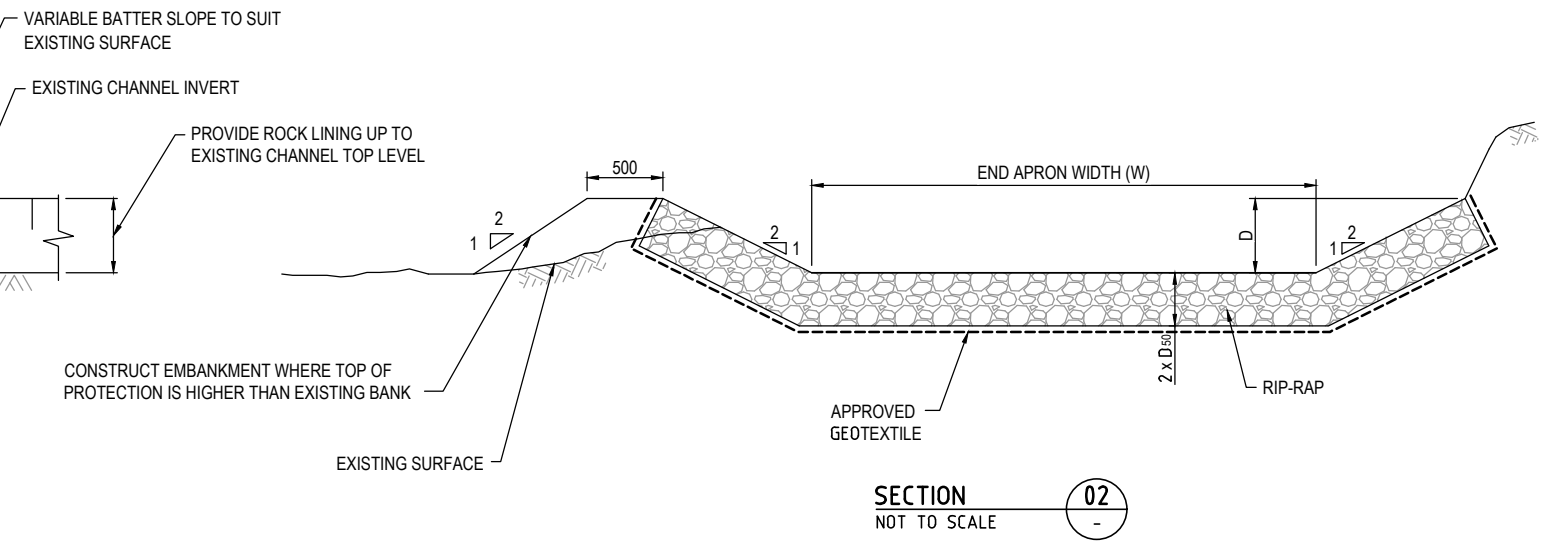
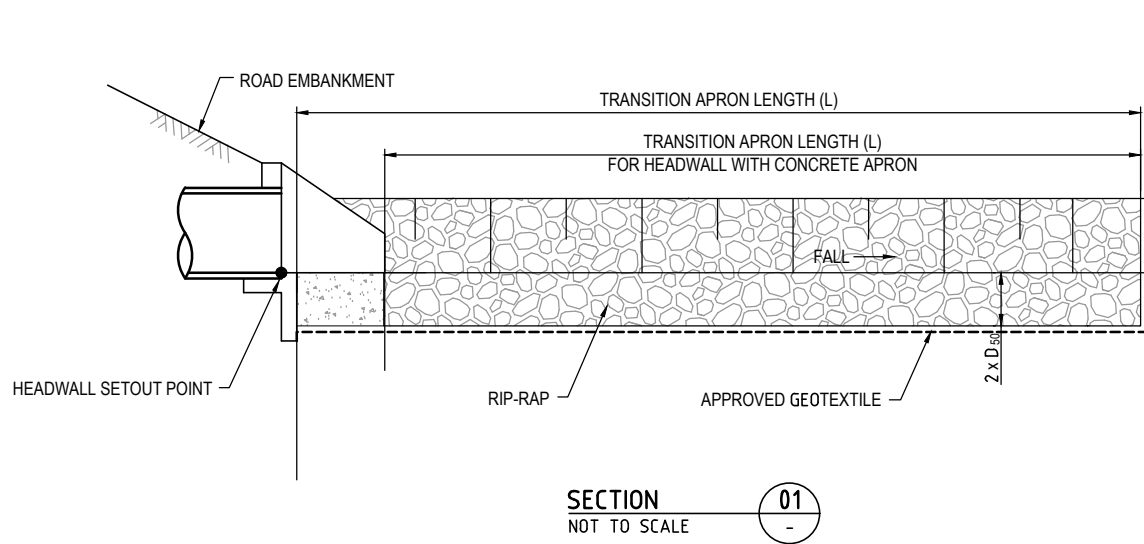
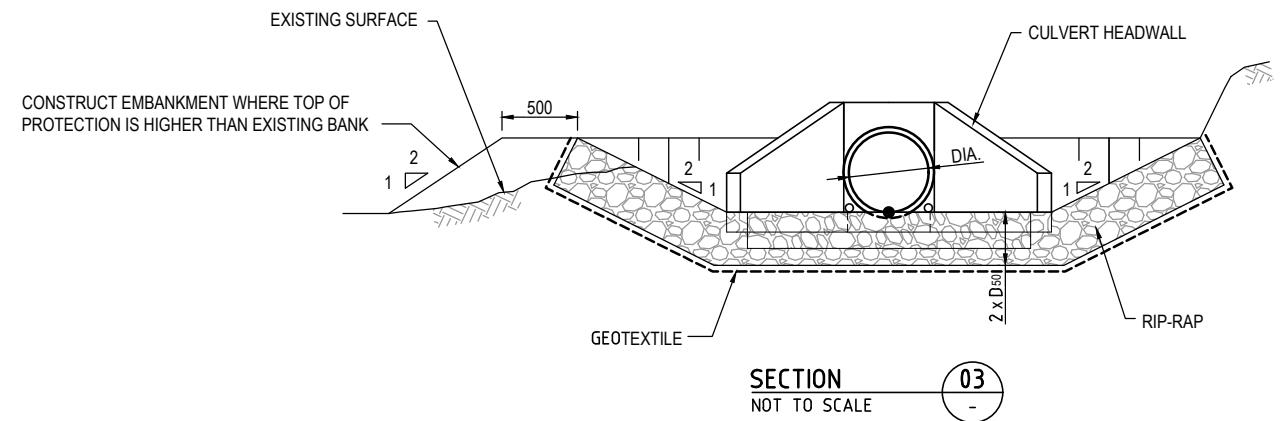
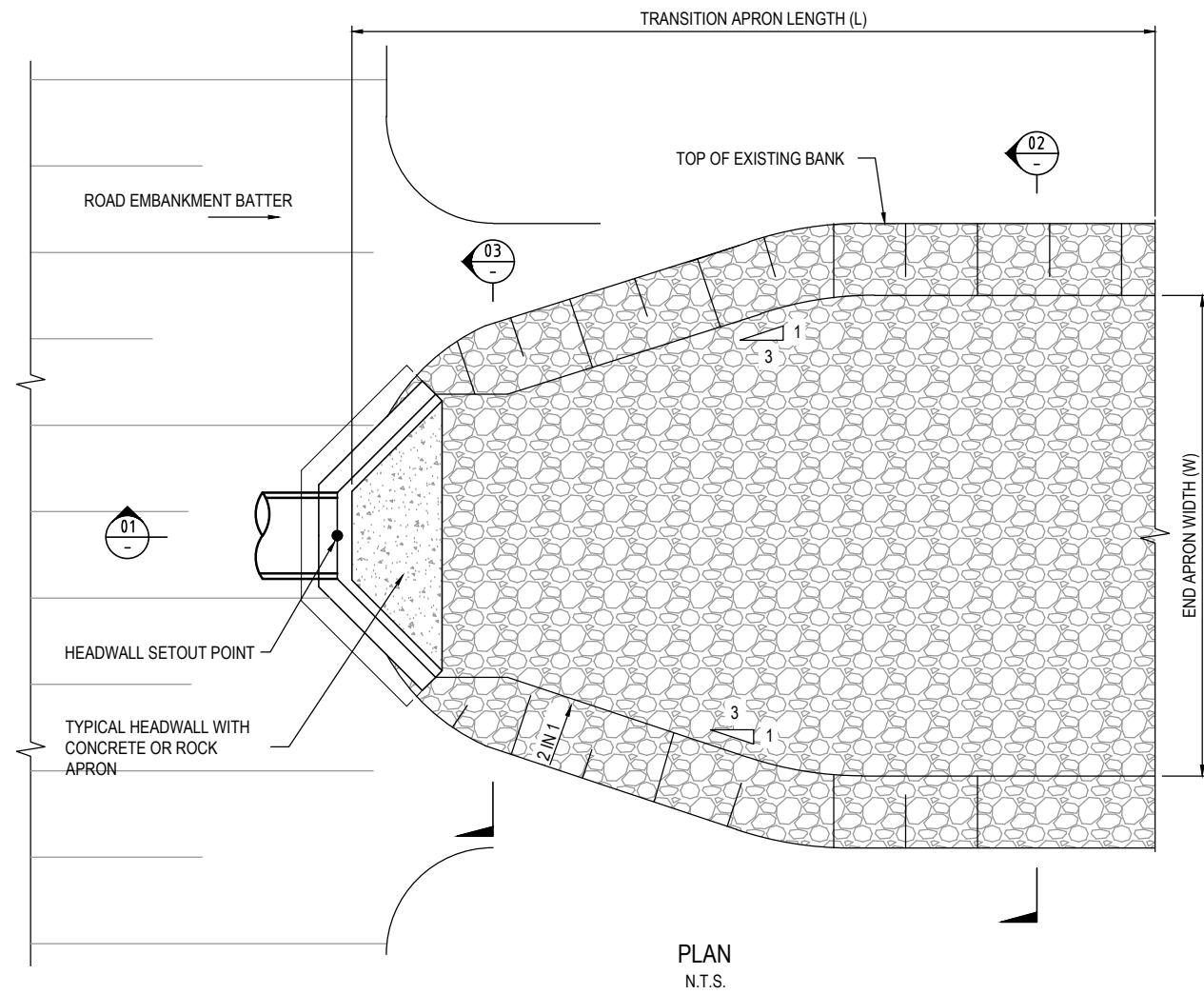


- NOTES**
- FOR DRAINAGE NOTES REFER DRG No. DD-1401
  - REFER TO DRAINAGE DESIGN PLANS FOR TRANSITION APRON DIMENSIONS
  - GEOTEXTILE UNDER RIP-RAP SHALL BE IN ACCORDANCE WITH SPECIFICATION MITS 031 SUBSURFACE DRAINAGE.



150 mm ON ORIGINAL

A1

DRAWING FILE LOCATION / NAME V:\Vault\Projects\3002750\CAD\DWG\07_DD_Drainage\3002750-DD-1444.dwg		PLOT DATE 15 Mar 2024		TIME 14:31:16												
EXTERNAL REFERENCE FILES		REV	DATE	AMENDMENT / REVISION DESCRIPTION	WVR No.	APPROVAL	TITLE	NAME	SCALES AT A1 SIZE DRAWING	DESIGNER	CLIENT	PROJECT TITLE	SCALE	PHASE	PROJECT / DRAWING No.	REVISION
		A	19.06.2020	PRELIMINARY SKETCH PLAN	0007	DK	DRAFTER	N. BROOKE-TAYLOR		<p>Member of the Surbana Jurong Group ABN 47 065 475 149</p> <p>LEVEL 9, 12 MOORE STREET CANBERRA ACT 2601 AUSTRALIA SMEC PROJECT No 3002750</p>	<p>Transport Canberra &amp; City Services</p>	WILLIAM HOVELL DRIVE DUPLICATION	AS SHOWN	DETAIL DESIGN	3002750-DD-1444	D
		B	08.10.2020	PRELIMINARY SKETCH PLAN	0014	DK	DRAFTING CHECK	X. SECUBAN								
		C	13.11.2020	PRELIMINARY SKETCH PLAN SUBMISSION	0015	DK	DESIGNER	M. RAHMAN								
		D	15.03.2024	DRAFT DOCUMENT READINESS (DR) SUBMISSION	0036	T.VN	DESIGN CHECK	D. DONGOL								
							PROJECT MANAGER	K. DECANHA								
							PROJECT DIRECTOR	T. VAN NIEKERK								

DR

DRAINAGE  
DETAILS  
SHEET 4